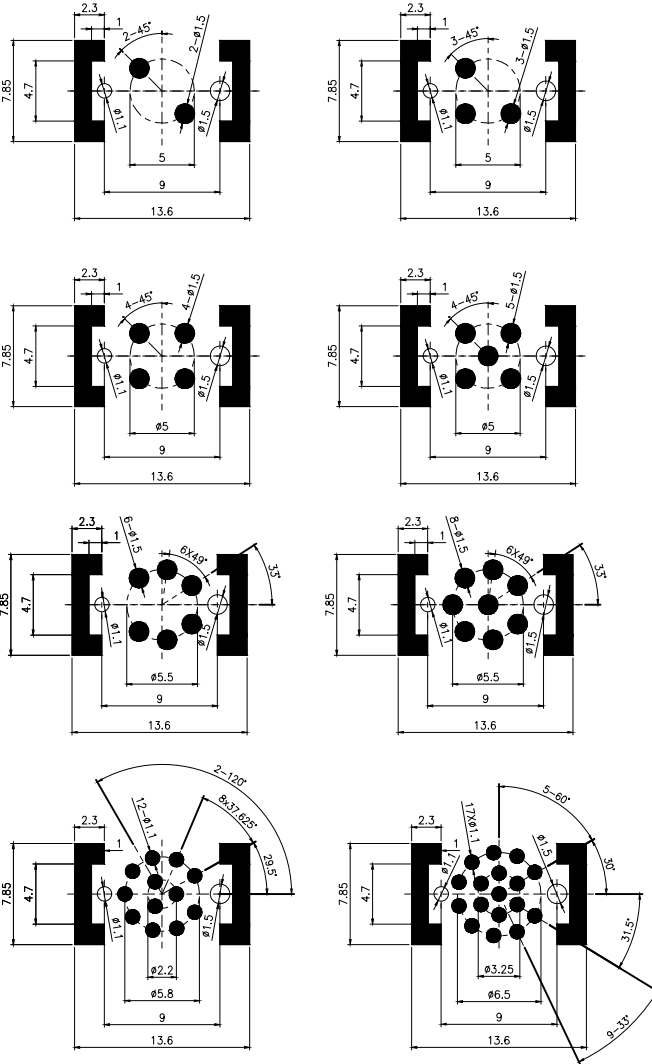
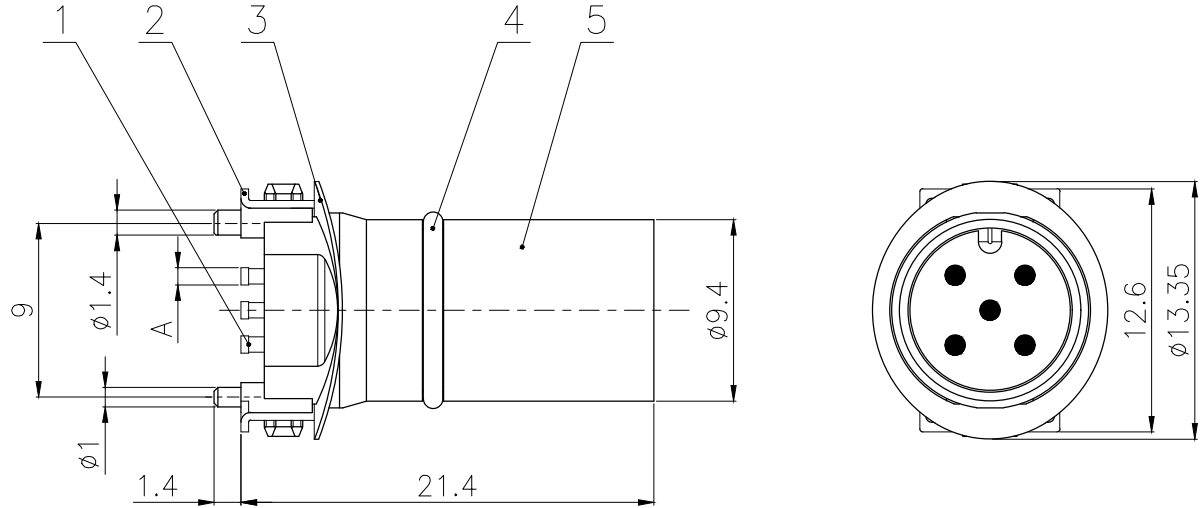


# 焊盘、定位孔尺寸



## 技术参数

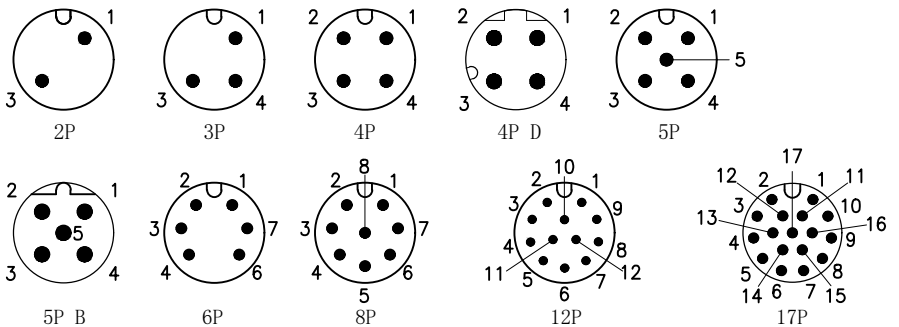
芯数	2	3	4	4D	5	5B	6	8	12	17
额定电流 / 电压	4A/250V	4A/250V	4A/250V	4A/250V	4A/60V	4A/60V	2A/30V	2A/30V	1.5A/30V	1.5A/30V
额定电涌电压	2.5KV	2.5KV	2.5KV	2.5KV	1.5KV	1.5KV	0.8KV	0.8KV	0.8KV	0.8KV
过电压等级	II	II	II	II	III	III	III	III	III	III
绝缘电阻	$\geq 100 \text{ M}\Omega$	$\geq 100 \text{ M}\Omega$	$\geq 100 \text{ M}\Omega$	$\geq 100 \text{ M}\Omega$	$\geq 100 \text{ M}\Omega$	$\geq 100 \text{ M}\Omega$	$\geq 100 \text{ M}\Omega$	$\geq 100 \text{ M}\Omega$	$\geq 100 \text{ M}\Omega$	$\geq 100 \text{ M}\Omega$



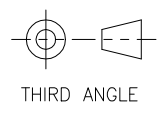
A
2P~8P: $\phi 0.9\text{mm}$
12P~17P: $\phi 0.7\text{mm}$

No.	Specification	Material	Treat	Unit	Q'ty
5	M12 贴片式公胶芯	LCP	/	pc	1
4	防水O型圈 $\phi 8 \times \phi 6 \times 1$	橡胶	/	pc	1
3	波形垫片 $\phi 13.35 \times \phi 10.35 - H0.2$	锰钢	镀镍	pc	1
2	胶芯屏蔽稳固件	黄铜	雾锡	pc	1
1	M12 贴片式公针	黄铜	镀金	pc	2~17

## 芯位排布



GENERAL TOLERANCE (UNLESS SPECIFIED)  
 $\leq 10 \pm 0.1$   
 $< 10 \sim \leq 20 \pm 0.2$   
 $< 20 \sim \leq 50 \pm 0.5$   
 Angle  $\pm 1^\circ$



DWN	DATE
W.M	2022.8.29
CHK	DATE
APVD	DATE
UNIT	REV
MM	A
SIZE	SHEET
A4	1 OF 1

TITLE: M12 贴片式针式插座

PART NO

DRAWING NO: M12-SMD-Px