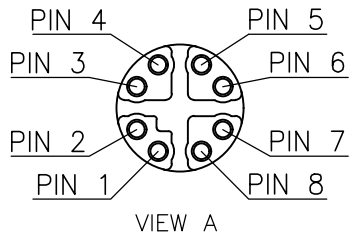
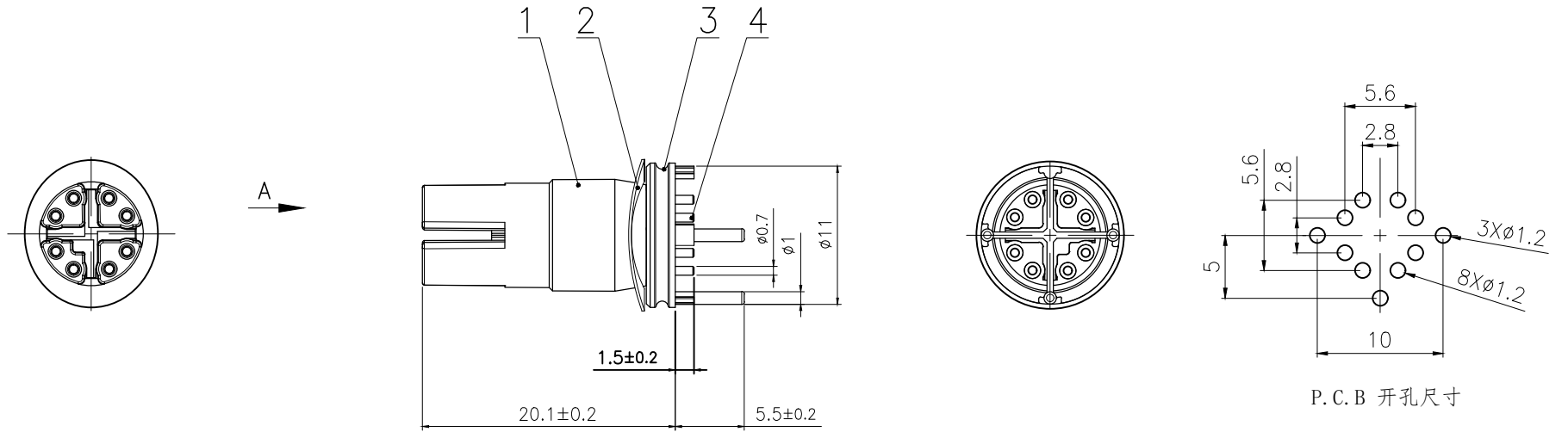


Rev.	Change Description	ECN #	Date



P. C. B 开孔尺寸

Technical specifications:		Materials:	
Coupling:	Threaded coupling	Shell material:	Brass nickel plated
Termination:	Dip solder	Contact material:	Brass Gold plated
Coding:	X	Insert material:	PA66+GF UL94 black
Pollution degree:	3	Sealing:	NBR
Temperature range:	-25°C ~ +80°C		
Degree of protection:	IP67		
Mating cycles:	≥500		
Rated voltage:	60V AC/DC		
Rated current:	0.5A		
Contact resistance:	≤5 mΩ		
Insulation resistance:	≥100 MΩ		
All materials are RoHS compliant			

4	M12 X Type female contact pin T-94-B	Brass	Gold plated	pc	8
3	M12 Zinc alloy rubber core metal parts	Zinc alloy	nickel plated	pc	1
2	M12 Waveform gasket φ12xφ8.7-H0.2	Brass	nickel plated	pc	1
1	2 Female Insulator (8 core X Coding)	Nylon	/	pc	1
No.	Specification	Material	Treat	Unit	Q'ty
GENERAL TOLERANCE (UNLESS SPECIFIED)		DWN	DATE		
≤10	±0.1	W.M	2022.9.2		
<10~≤20	±0.2	CHK	DATE		
<20~≤50	±0.5	APVD	DATE	TITLE M12 Female SMD Type Socket 8 core	
Angle	±1'	UNIT	REV	PART NO	
 THIRD ANGLE		MM	A	DRAWING NO	
		SIZE	SHEET	M12-SMD-S8X	
		A4	1 OF 1		