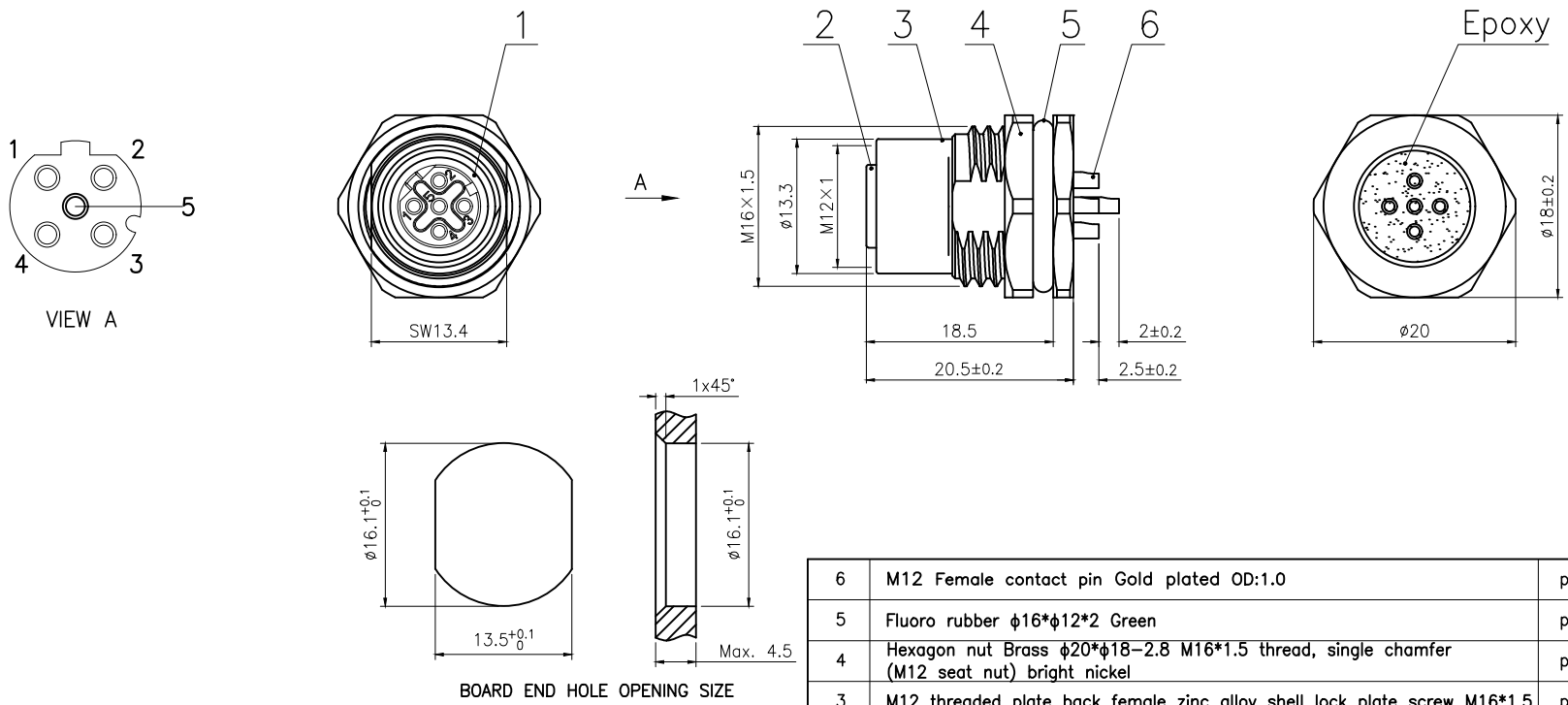


| Rev. | Change Description | ECN # | Date |
|------|--------------------|-------|------|
| | | | |



| | | | |
|-----|---|------|------|
| 6 | M12 Female contact pin Gold plated OD:1.0 | pc | 5 |
| 5 | Fluoro rubber $\phi 16 * \phi 12 * 2$ Green | pc | 1 |
| 4 | Hexagon nut Brass $\phi 20 * \phi 18 - 2.8$ M16*1.5 thread, single chamfer (M12 seat nut) bright nickel | pc | 1 |
| 3 | M12 threaded plate back female zinc alloy shell lock plate screw M16*1.5 | pc | 1 |
| 2 | M12 D code female type long Rubber core PA66 material 5 core black | pc | 1 |
| 1 | Fluoro rubber $\phi 9 * \phi 6 * 1.5$ Green | pc | 1 |
| No. | Specification | Unit | Q'ty |

| Technical specifications: | | Materials: | |
|---------------------------|-------------------|-------------------|--------------------------------|
| Coupling: | Threaded coupling | Shell material: | Brass/Zinc alloy nickel plated |
| Termination: | Soldering | Contact material: | Phosphor Copper Gold plated |
| Coding: | D | Insert material: | PA66+GF UL94 black |
| Pollution degree: | 3 | Sealing: | Fluoro rubber, Green |
| Temperature range: | -40°C ~ +80°C | | |
| Degree of protection: | IP67 | | |
| Mating cycles: | ≥500 | | |
| Rated voltage: | 60V AC/DC | | |
| Rated current: | 4A | | |
| Contact resistance: | ≤5 mΩ | | |
| Insulation resistance: | ≥100 MΩ | | |

All materials are RoHS compliant

| | | | |
|--------------------------------------|------|-----------|--|
| GENERAL TOLERANCE (UNLESS SPECIFIED) | DWN | DATE | |
| | W.M | 2023.8.14 | |
| | CHK | DATE | |
| ≤10 ±0.1 | APVD | DATE | TITLE |
| <10~≤20 ±0.2 | UNIT | REV | M12 Female Back Mount Socket 5 core D code |
| <20~≤50 ±0.5 | MM | A | |
| Angle ±1° | SIZE | SHEET | |
| | A4 | 1 OF 1 | PART NO |
| | | | C110204-00860 |
| | | | DRAWING NO |
| | | | M12-S5D-GWFM16-ZA |