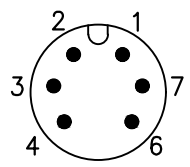
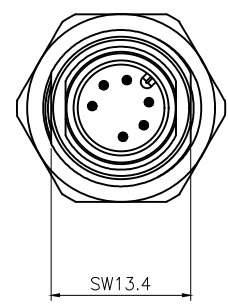


| | | | | | |
|------|--------------------|-------|------|---|---|
| 1 | 2 | 3 | 4 | 5 | 6 |
| Rev. | Change Description | ECN # | Date | | |

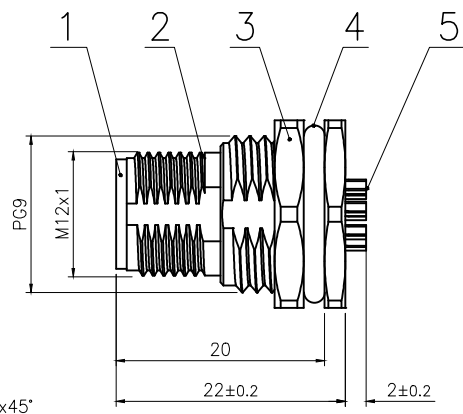


VIEW A



SW13.4

A



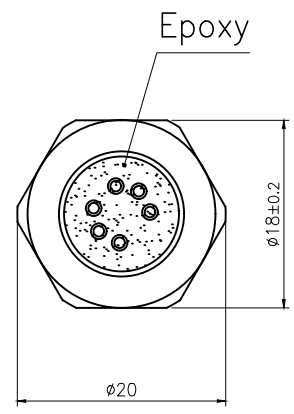
PG9

M12x1

20

22±0.2

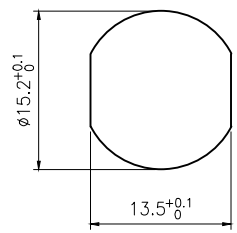
2±0.2



Epoxy

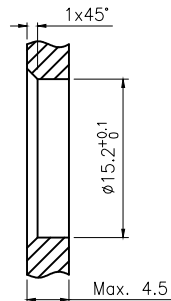
ø18±0.2

ø20



ø15.2^{+0.1}₀

13.5^{+0.1}₀



1x45°

ø15.2^{+0.1}₀

Max. 4.5

BOARD END HOLE OPENING SIZE

| Technical specifications: | | Materials: | |
|---------------------------|-------------------|-------------------|--------------------------------|
| Coupling: | Threaded coupling | Shell material: | Brass/Zinc alloy nickel plated |
| Termination: | Soldering | Contact material: | Brass Gold plated |
| Coding: | A | Insert material: | PA66+GF UL94 black |
| Pollution degree: | 3 | Sealing: | Fluoro rubber,Green |
| Temperature range: | -40°C ~ +80°C | | |
| Degree of protection: | IP67 | | |
| Mating cycles: | ≥500 | | |
| Rated voltage: | 30V AC/DC | | |
| Rated current: | 2A | | |
| Contact resistance: | ≤5 mΩ | | |
| Insulation resistance: | ≥100 MΩ | | |

All materials are RoHS compliant

| 5 | M12 Male contact pin Gold plated OD:0.8 | pc | 6 |
|-----|---|------|------|
| 4 | Fluoro rubber φ16*φ12*2 Green | pc | 1 |
| 3 | Hexagon nut Brass φ20*φ18-2.8 PG9 thread, single chamfer (M12 seat nut) bright nickel | pc | 1 |
| 2 | M12 threaded plate back male zinc alloy shell lock plate screw PG9 | pc | 1 |
| 1 | M12 A code male type long Rubber core PA66 material 6 core black | pc | 1 |
| No. | Specification | Unit | Q'ty |

| | | | |
|--------------------------------------|------|-----------|-----------------------------------|
| GENERAL TOLERANCE (UNLESS SPECIFIED) | DWN | DATE | |
| | W.M | 2023.8.14 | |
| | CHK | DATE | |
| ≤10 ±0.1 | APVD | DATE | TITLE |
| <10~≤20 ±0.2 | | | M12 Male Back Mount Socket 6 core |
| <20~≤50 ±0.5 | | | |
| Angle ±1° | | | |
| THIRD ANGLE | UNIT | REV | PART NO |
| | MM | A | C110204-00873 |
| | SIZE | SHEET | DRAWING NO |
| A4 | | 1 OF 1 | M12-P6A-GWFP9-ZA |