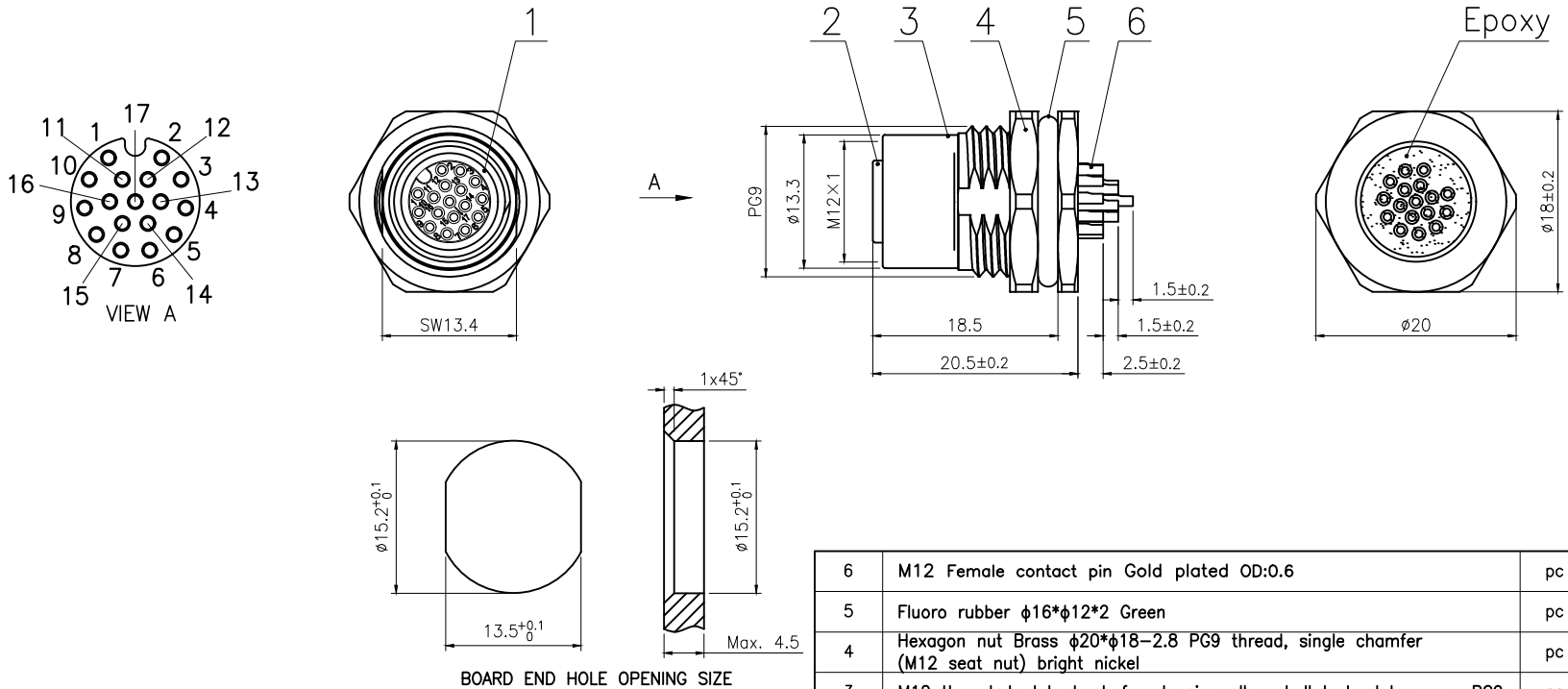



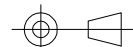
Rev.	Change Description	ECN #	Date



6	M12 Female contact pin Gold plated OD:0.6	pc	17
5	Fluoro rubber ø16*ø12*2 Green	pc	1
4	Hexagon nut Brass ø20*ø18-2.8 PG9 thread, single chamfer (M12 seat nut) bright nickel	pc	1
3	M12 threaded plate back female zinc alloy shell lock plate screw PG9	pc	1
2	M12 A code female type long Rubber core PA66 material 17 core black	pc	1
1	Fluoro rubber ø9*ø6*1.5 Green	pc	1
No.	Specification	Unit	Q'ty

Technical specifications:		Materials:	
Coupling:	Threaded coupling	Shell material:	Brass/Zinc alloy nickel plated
Termination:	Soldering	Contact material:	Phosphor Copper Gold plated
Coding:	A	Insert material:	PA66+GF UL94 black
Pollution degree:	3	Sealing:	Fluoro rubber,Green
Temperature range:	-40°C ~ +80°C		
Degree of protection:	IP67		
Mating cycles:	≥500		
Rated voltage:	30V AC/DC		
Rated current:	1.5A		
Contact resistance:	≤5 mΩ		
Insulation resistance:	≥100 MΩ		

All materials are RoHS compliant

GENERAL TOLERANCE (UNLESS SPECIFIED) ≤10 ±0.1 <10~≤20 ±0.2 <20~≤50 ±0.5 Angle ±1°	DWN	DATE	
	W.M	2023.8.14	
	CHK	DATE	
	APVD	DATE	TITLE M12 Female Back Mount Socket 17 core
 THIRD ANGLE	UNIT MM	REV A	PART NO C110204-00888
	SIZE A4	SHEET 1 OF 1	DRAWING NO M12-S17A-GWFP9-ZA