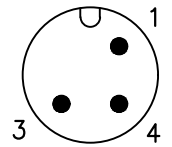
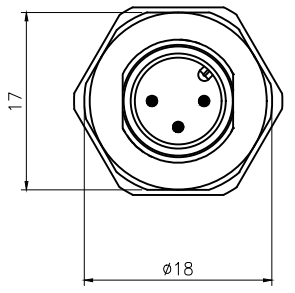


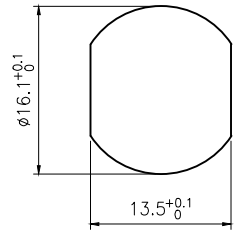
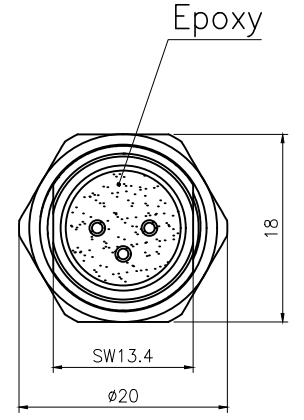
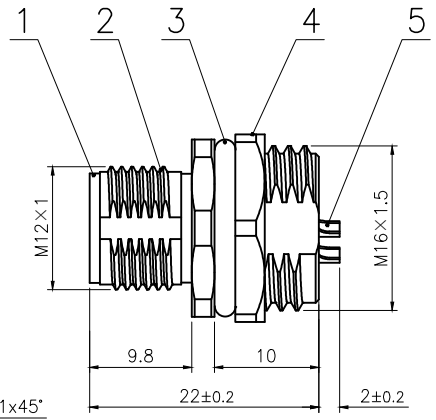
Rev.	Change Description	ECN #	Date



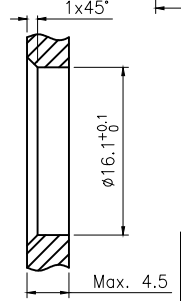
VIEW A



A →



BOARD END HOLE OPENING SIZE



Technical specifications:		Materials:	
Coupling:	Threaded coupling	Shell material:	Brass/Zinc alloy nickel plated
Termination:	Soldering	Contact material:	Brass Gold plated
Coding:	A	Insert material:	PA66+GF UL94 black
Pollution degree:	3	Sealing:	Fluoro rubber, Green
Temperature range:	-40°C ~ +80°C		
Degree of protection:	IP67		
Mating cycles:	≥500		
Rated voltage:	250V AC/DC		
Rated current:	4A		
Contact resistance:	≤5 mΩ		
Insulation resistance:	≥100 MΩ		
All materials are RoHS compliant			

No.	Specification	Unit	Q'ty
5	M12 Male contact pin Gold plated OD:1.0	pc	3
4	Hexagon nut Brass φ20*φ18-2.8 M16*1.5 thread, single chamfer (M12 seat nut) bright nickel	pc	1
3	Fluoro rubber φ16*φ12*2 Green	pc	1
2	M12 threaded plate front male zinc alloy shell lock plate screw M16*1.5	pc	1
1	M12 A code male type long Rubber core PA66 material 3 core black	pc	1

GENERAL TOLERANCE (UNLESS SPECIFIED)	≤10	±0.1	DWN	DATE	
	<10~≤20	±0.2	W.M	2023.8.14	
	<20~≤50	±0.5	CHK	DATE	
Angle	±1°	APVD	DATE	TITLE	M12 Male Front Mount Socket 3 core
 THIRD ANGLE	UNIT	REV	PART NO	C110204-00794	
	MM	A	DRAWING NO	M12-P3A-GWBM16-ZA	
	SIZE	SHEET	1 OF 1		