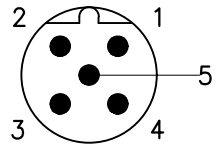
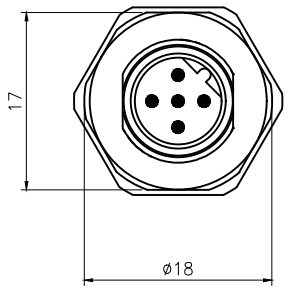


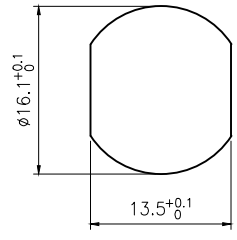
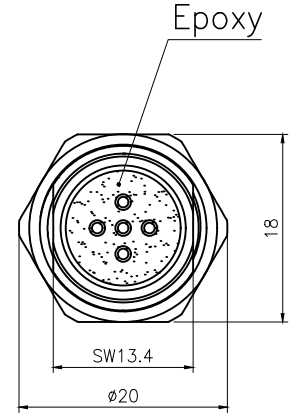
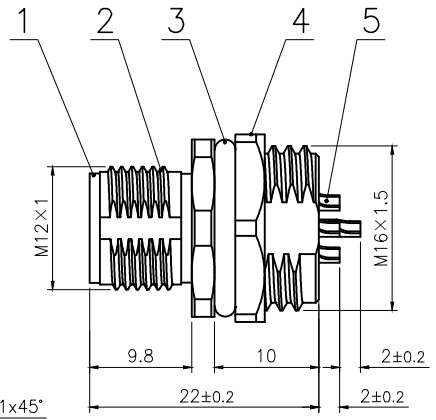
Rev.	Change Description	ECN #	Date



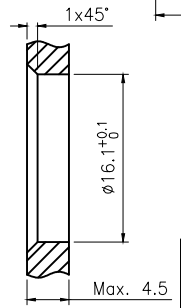
VIEW A



A →



BOARD END HOLE OPENING SIZE



Technical specifications:		Materials:	
Coupling:	Threaded coupling	Shell material:	Brass/Zinc alloy nickel plated
Termination:	Soldering	Contact material:	Brass Gold plated
Coding:	B	Insert material:	PA66+GF UL94 black
Pollution degree:	3	Sealing:	Fluoro rubber,Green
Temperature range:	-40°C ~ +80°C		
Degree of protection:	IP67		
Mating cycles:	≥500		
Rated voltage:	60V AC/DC		
Rated current:	4A		
Contact resistance:	≤5 mΩ		
Insulation resistance:	≥100 MΩ		
All materials are RoHS compliant			

No.	Specification	Unit	Q'ty
5	M12 Male contact pin Gold plated OD:1.0	pc	5
4	Hexagon nut Brass φ20*φ18-2.8 M16*1.5 thread, single chamfer (M12 seat nut) bright nickel	pc	1
3	Fluoro rubber φ16*φ12*2 Green	pc	1
2	M12 threaded plate front male zinc alloy shell lock plate screw M16*1.5	pc	1
1	M12 B code male type long Rubber core PA66 material 5 core black	pc	1

GENERAL TOLERANCE (UNLESS SPECIFIED)	≤10	±0.1	DWN	DATE	2023.8.14	<b>CAZN 正成</b>	
	<10~≤20	±0.2		W.M			DATE
	<20~≤50	±0.5		CHK			DATE
	Angle	±1°	APVD	DATE	TITLE	M12 Male Front Mount Socket 5 core B code	
	THIRD ANGLE	UNIT	MM	REV	A	PART NO	C110204-00799
		SIZE	A4	SHEET	1 OF 1	DRAWING NO	M12-P5B-GWBM16-ZA