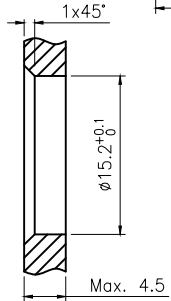
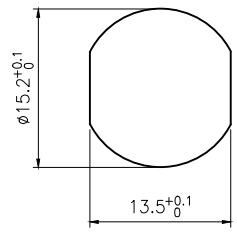
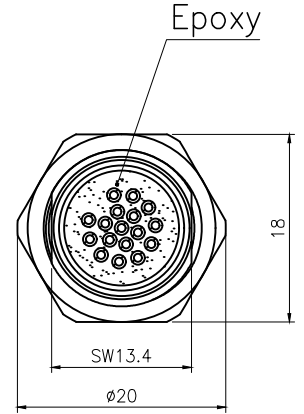
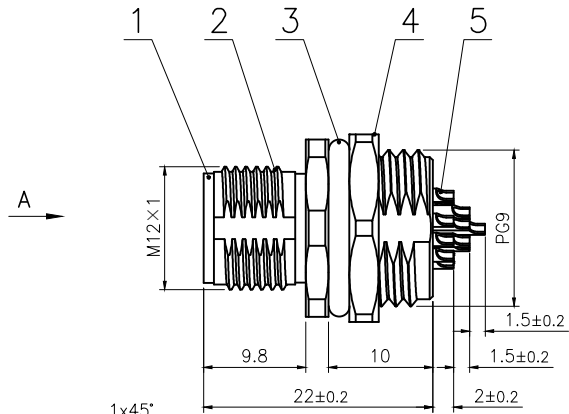
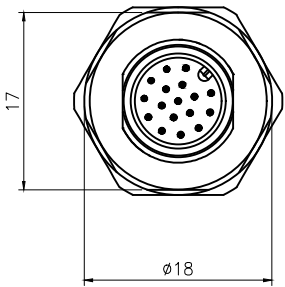
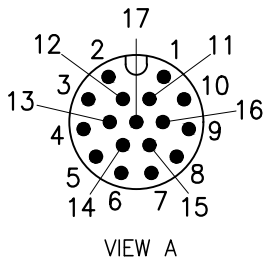


| Rev. | Change Description | ECN # | Date |
|------|--------------------|-------|------|
| | | | |



BOARD END HOLE OPENING SIZE

| 5 | M12 Male contact pin Gold plated OD:0.6 | pc | 17 |
|-----|--|------|------|
| 4 | Hexagon nut Brass $\phi 20 \times \phi 18 - 2.8$ PG9 thread, single chamfer (M12 seat nut) bright nickel | pc | 1 |
| 3 | Fluoro rubber $\phi 16 \times \phi 12 \times 2$ Green | pc | 1 |
| 2 | M12 threaded plate front male zinc alloy shell lock plate screw PG9 | pc | 1 |
| 1 | M12 A code male type long Rubber core PA66 material 17 core black | pc | 1 |
| No. | Specification | Unit | Q'ty |

| Technical specifications: | | Materials: | |
|---------------------------|-------------------|-------------------|--------------------------------|
| Coupling: | Threaded coupling | Shell material: | Brass/Zinc alloy nickel plated |
| Termination: | Soldering | Contact material: | Brass Gold plated |
| Coding: | A | Insert material: | PA66+GF UL94 black |
| Pollution degree: | 3 | Sealing: | Fluoro rubber, Green |
| Temperature range: | -40°C ~ +80°C | | |
| Degree of protection: | IP67 | | |
| Mating cycles: | ≥ 500 | | |
| Rated voltage: | 30V AC/DC | | |
| Rated current: | 1.5A | | |
| Contact resistance: | ≤ 5 mΩ | | |
| Insulation resistance: | ≥ 100 MΩ | | |

All materials are RoHS compliant

| | | | |
|--------------------------------------|------|-----------|-------------------------------------|
| GENERAL TOLERANCE (UNLESS SPECIFIED) | DWN | DATE | |
| | W.M | 2023.8.14 | |
| | CHK | DATE | |
| ≤ 10 ± 0.1 | APVD | DATE | TITLE |
| < 10 ~ ≤ 20 ± 0.2 | | | M12 Male Front Mount Socket 17 core |
| < 20 ~ ≤ 50 ± 0.5 | | | |
| Angle ± 1° | | | |
| THIRD ANGLE | UNIT | REV | PART NO |
| | MM | A | C110204-00828 |
| | SIZE | SHEET | DRAWING NO |
| | A4 | 1 OF 1 | M12-P17A-GWBP9-ZA |