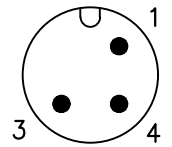
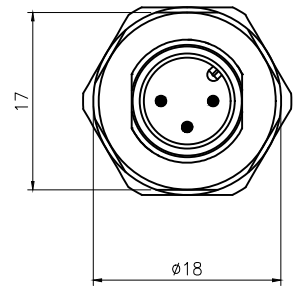


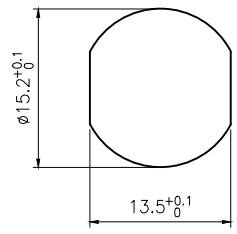
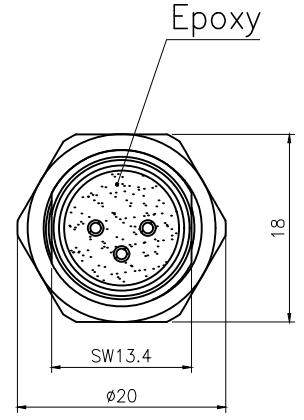
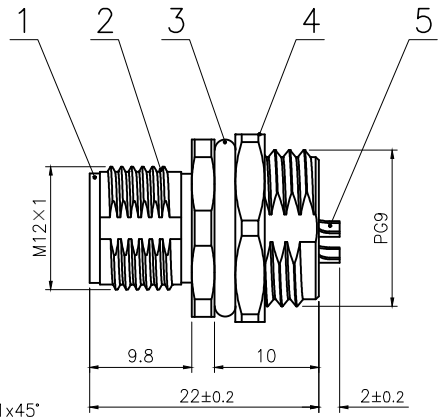
|      |                    |       |      |
|------|--------------------|-------|------|
| Rev. | Change Description | ECN # | Date |
|      |                    |       |      |



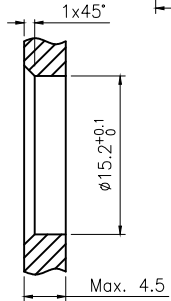
VIEW A



A →



BOARD END HOLE OPENING SIZE



| Technical specifications:        |                   | Materials:        |                                |
|----------------------------------|-------------------|-------------------|--------------------------------|
| Coupling:                        | Threaded coupling | Shell material:   | Brass/Zinc alloy nickel plated |
| Termination:                     | Soldering         | Contact material: | Brass Gold plated              |
| Coding:                          | A                 | Insert material:  | PA66+GF UL94 black             |
| Pollution degree:                | 3                 | Sealing:          | Fluoro rubber, Green           |
| Temperature range:               | -40°C ~ +80°C     |                   |                                |
| Degree of protection:            | IP67              |                   |                                |
| Mating cycles:                   | ≥500              |                   |                                |
| Rated voltage:                   | 250V AC/DC        |                   |                                |
| Rated current:                   | 4A                |                   |                                |
| Contact resistance:              | ≤5 mΩ             |                   |                                |
| Insulation resistance:           | ≥100 MΩ           |                   |                                |
| All materials are RoHS compliant |                   |                   |                                |

| No. | Specification   | Unit | Q'ty |
|-----|---|------|------|
| 5   | M12 Male contact pin Gold plated OD:1.0   | pc   | 3    |
| 4   | Hexagon nut Brass φ20*φ18-2.8 PG9 thread, single chamfer (M12 seat nut) bright nickel | pc   | 1    |
| 3   | Fluoro rubber φ16*φ12*2 Green   | pc   | 1    |
| 2   | M12 threaded plate front male zinc alloy shell lock plate screw PG9                   | pc   | 1    |
| 1   | M12 A code male type long Rubber core PA66 material 3 core black                      | pc   | 1    |

|   |            |                 |   |
|---|------------|-----------------|---|
| GENERAL TOLERANCE (UNLESS SPECIFIED)<br>≤10 ±0.1<br><10~≤20 ±0.2<br><20~≤50 ±0.5<br>Angle ±1° | DWN        | DATE            |   |
|   | W.M        | 2023.8.14       |   |
|   | CHK        | DATE            |   |
|   | APVD       | DATE            | TITLE<br>M12 Male Front Mount Socket 3 core |
|   | UNIT<br>MM | REV<br>A        | PART NO<br>C110204-00818                    |
|   | SIZE<br>A4 | SHEET<br>1 OF 1 | DRAWING NO<br>M12-P3A-GWBP9-ZA              |