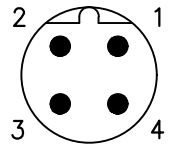
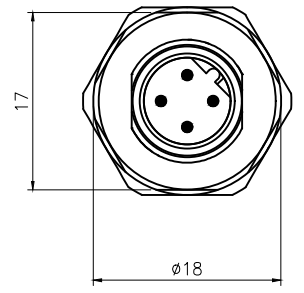


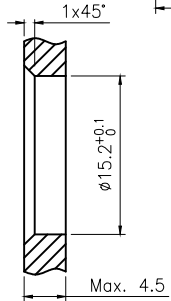
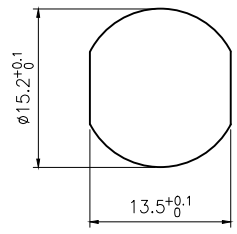
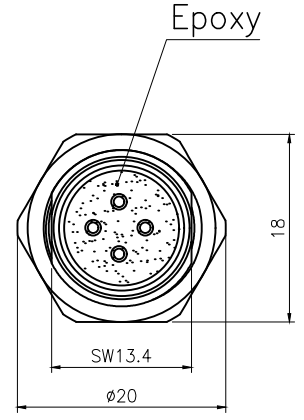
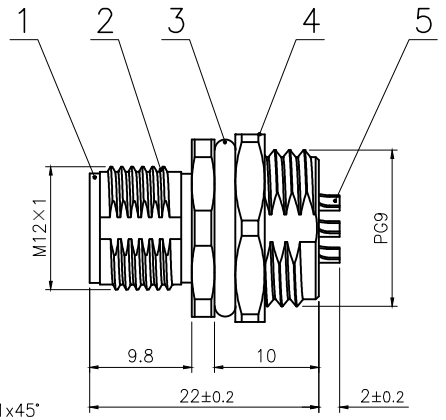
Rev.	Change Description	ECN #	Date



VIEW A



A →



BOARD END HOLE OPENING SIZE

Technical specifications:		Materials:	
Coupling:	Threaded coupling	Shell material:	Brass/Zinc alloy nickel plated
Termination:	Soldering	Contact material:	Brass Gold plated
Coding:	B	Insert material:	PA66+GF UL94 black
Pollution degree:	3	Sealing:	Fluoro rubber, Green
Temperature range:	-40°C ~ +80°C		
Degree of protection:	IP67		
Mating cycles:	≥500		
Rated voltage:	250V AC/DC		
Rated current:	4A		
Contact resistance:	≤5 mΩ		
Insulation resistance:	≥100 MΩ		
All materials are RoHS compliant			

5	M12 Male contact pin Gold plated OD:1.0	pc	4
4	Hexagon nut Brass ø20*ø18-2.8 PG9 thread, single chamfer (M12 seat nut) bright nickel	pc	1
3	Fluoro rubber ø16*ø12*2 Green	pc	1
2	M12 threaded plate front male zinc alloy shell lock plate screw PG9	pc	1
1	M12 B code male type long Rubber core PA66 material 4 core black	pc	1
No.	Specification	Unit	Q'ty

GENERAL TOLERANCE (UNLESS SPECIFIED)	≤10	±0.1	DWN W.M DATE 2023.8.14		
	<10~≤20	±0.2			CHK DATE
	<20~≤50	±0.5			APVD DATE
	Angle	±1°		TITLE M12 Male Front Mount Socket 4 core B code	
 THIRD ANGLE	UNIT MM	REV A	PART NO C110204-00820		
	SIZE A4	SHEET 1 OF 1	DRAWING NO M12-P4B-CWBP9-ZA		