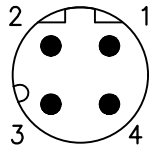
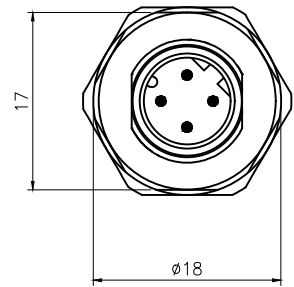


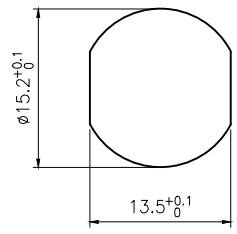
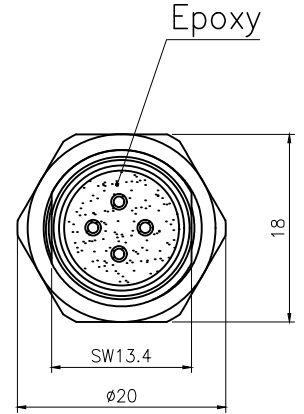
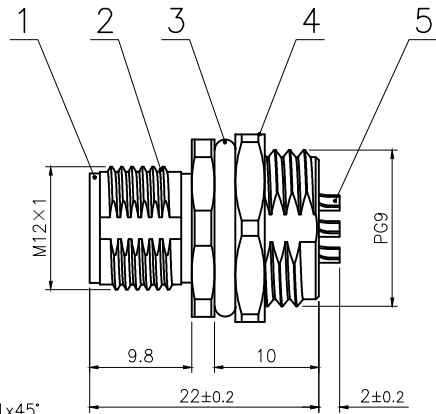
Rev.	Change Description	ECN #	Date



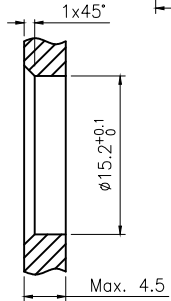
VIEW A



A →



BOARD END HOLE OPENING SIZE



Technical specifications:		Materials:	
Coupling:	Threaded coupling	Shell material:	Brass/Zinc alloy nickel plated
Termination:	Soldering	Contact material:	Brass Gold plated
Coding:	D	Insert material:	PA66+GF UL94 black
Pollution degree:	3	Sealing:	Fluoro rubber, Green
Temperature range:	-40°C ~ +80°C		
Degree of protection:	IP67		
Mating cycles:	≥500		
Rated voltage:	250V AC/DC		
Rated current:	4A		
Contact resistance:	≤5 mΩ		
Insulation resistance:	≥100 MΩ		
All materials are RoHS compliant			

No.	Specification	Unit	Q'ty
5	M12 Male contact pin Gold plated OD:1.0	pc	4
4	Hexagon nut Brass φ20*φ18-2.8 PG9 thread, single chamfer (M12 seat nut) bright nickel	pc	1
3	Fluoro rubber φ16*φ12*2 Green	pc	1
2	M12 threaded plate front male zinc alloy shell lock plate screw PG9	pc	1
1	M12 D code male type long Rubber core PA66 material 4 core black	pc	1

GENERAL TOLERANCE (UNLESS SPECIFIED)	≤10	±0.1	DWN	DATE		
	<10~≤20	±0.2	W.M	2023.8.14		
	<20~≤50	±0.5	CHK	DATE		
Angle	±1°		APVD	DATE	TITLE	M12 Male Front Mount Socket 4 core D code
	UNIT	MM	REV	A	PART NO	C110204-00821
THIRD ANGLE	SIZE	A4	SHEET	1 OF 1	DRAWING NO	M12-P4D-GWBP9-ZA