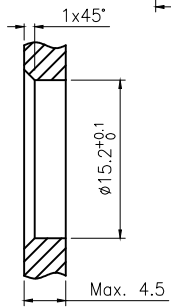
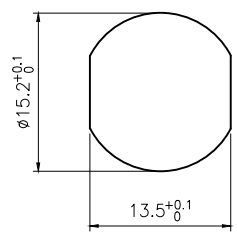
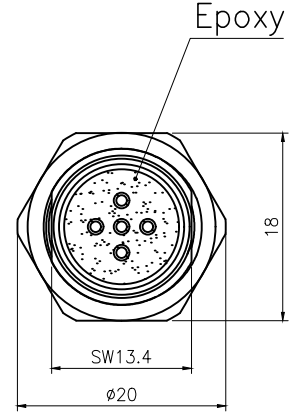
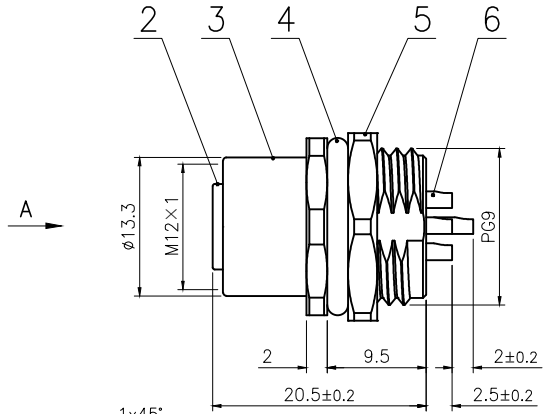
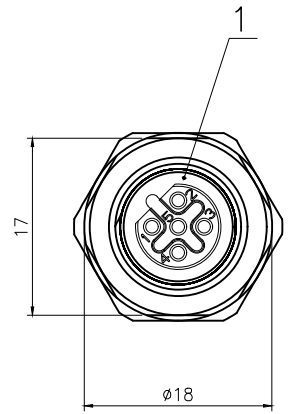
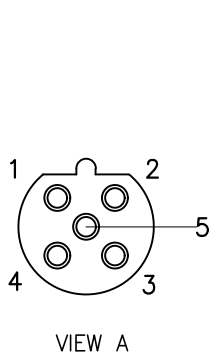


Rev.	Change Description	ECN #	Date



BOARD END HOLE OPENING SIZE

6	M12 Female contact pin Gold plated OD:1.0	pc	5
5	Hexagon nut Brass $\phi 20 \times \phi 18 - 2.8$ PG9 thread, single chamfer (M12 seat nut) bright nickel	pc	1
4	Fluoro rubber $\phi 16 \times \phi 12 \times 2$ Green	pc	1
3	M12 threaded plate front female zinc alloy shell lock plate screw PG9	pc	1
2	M12 B code female type long Rubber core PA66 material 5 core black	pc	1
1	Fluoro rubber $\phi 9 \times \phi 6 \times 1.5$ Green	pc	1
No.	Specification	Unit	Q'ty

Technical specifications:		Materials:	
Coupling:	Threaded coupling	Shell material:	Brass/Zinc alloy nickel plated
Termination:	Soldering	Contact material:	Phosphor Copper Gold plated
Coding:	B	Insert material:	PA66+GF UL94 black
Pollution degree:	3	Sealing:	Fluoro rubber, Green
Temperature range:	-40°C ~ +80°C		
Degree of protection:	IP67		
Mating cycles:	≥500		
Rated voltage:	60V AC/DC		
Rated current:	4A		
Contact resistance:	≤5 mΩ		
Insulation resistance:	≥100 MΩ		
All materials are RoHS compliant			

GENERAL TOLERANCE (UNLESS SPECIFIED)	DWN	DATE		
	W.M	2023.8.14		
	CHK	DATE		
≤10 ±0.1	APVD	DATE	TITLE	M12 Female Front Mount Socket 5 core B code
<10~≤20 ±0.2	UNIT	REV	PART NO	C110204-00835
<20~≤50 ±0.5	MM	A	DRAWING NO	M12-S5B-CWBP9-ZA
Angle ±1°	SIZE	SHEET		
	A4	1 OF 1		