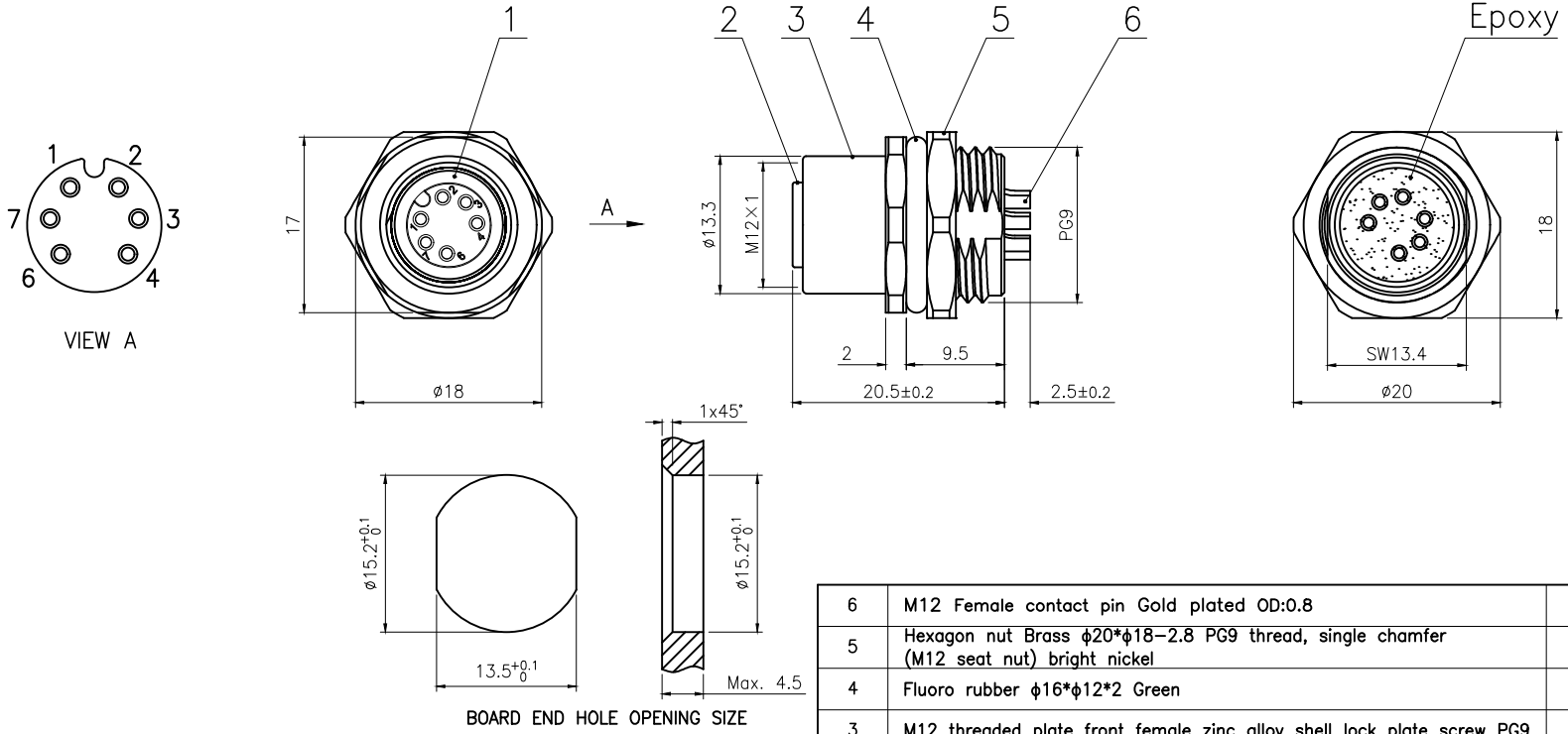


| Rev. | Change Description | ECN # | Date |
|------|--------------------|-------|------|
| | | | |



| No. | Specification | Unit | Q'ty |
|-----|---|------|------|
| 6 | M12 Female contact pin Gold plated OD:0.8 | pc | 6 |
| 5 | Hexagon nut Brass $\phi 20 * \phi 18 - 2.8$ PG9 thread, single chamfer (M12 seat nut) bright nickel | pc | 1 |
| 4 | Fluoro rubber $\phi 16 * \phi 12 * 2$ Green | pc | 1 |
| 3 | M12 threaded plate front female zinc alloy shell lock plate screw PG9 | pc | 1 |
| 2 | M12 A code female type long Rubber core PA66 material 6 core black | pc | 1 |
| 1 | Fluoro rubber $\phi 9 * \phi 6 * 1.5$ Green | pc | 1 |

| Technical specifications: | | Materials: | |
|----------------------------------|-------------------|-------------------|--------------------------------|
| Coupling: | Threaded coupling | Shell material: | Brass/Zinc alloy nickel plated |
| Termination: | Soldering | Contact material: | Phosphor Copper Gold plated |
| Coding: | A | Insert material: | PA66+GF UL94 black |
| Pollution degree: | 3 | Sealing: | Fluoro rubber, Green |
| Temperature range: | -40°C ~ +80°C | | |
| Degree of protection: | IP67 | | |
| Mating cycles: | ≥500 | | |
| Rated voltage: | 30V AC/DC | | |
| Rated current: | 2A | | |
| Contact resistance: | ≤5 mΩ | | |
| Insulation resistance: | ≥100 MΩ | | |
| All materials are RoHS compliant | | | |

| | | | |
|--------------------------------------|------|-----------|--------------------------------------|
| GENERAL TOLERANCE (UNLESS SPECIFIED) | DWN | DATE | |
| | W.M | 2023.8.14 | |
| | CHK | DATE | |
| ≤10 ±0.1 | APVD | DATE | TITLE |
| <10~<20 ±0.2 | | | M12 Female Front Mount Socket 6 core |
| <20~<50 ±0.5 | UNIT | REV | PART NO |
| Angle ±1° | MM | A | C110204-00837 |
| | SIZE | SHEET | DRAWING NO |
| THIRD ANGLE | A4 | 1 OF 1 | M12-S6A-GWBP9-ZA |