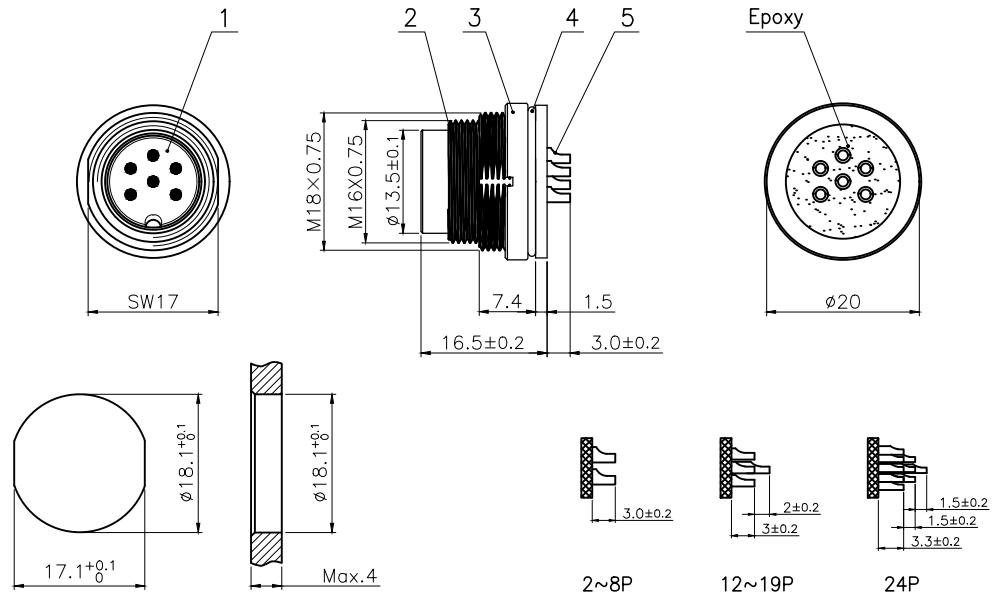
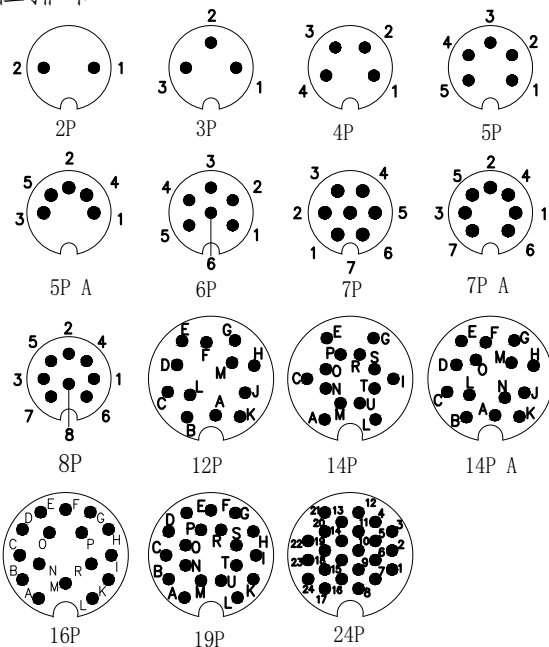


# 技术参数

|           |         |         |         |         |         |         |         |         |        |        |        |        |        |        |
|-----------|---------|---------|---------|---------|---------|---------|---------|---------|--------|--------|--------|--------|--------|--------|
| 芯数        | 2       | 3       | 4       | 5       | 5A      | 6       | 7       | 7A      | 8      | 12     | 14     | 14A    | 19     | 24     |
| 额定电流/电压   | 7A/250V | 7A/250V | 6A/250V | 6A/250V | 6A/250V | 5A/250V | 5A/125V | 5A/125V | 5A/60V | 3A/60V | 3A/60V | 3A/60V | 3A/60V | 1A/60V |
| 额定脉冲电压    | 1500V   | 1500V   | 1500V   | 1500V   | 1500V   | 1500V   | 800V    | 800V    | 800V   | 500V   | 500V   | 500V   | 500V   | 500V   |
| 绝缘电阻 (MΩ) | ≥100    | ≥100    | ≥100    | ≥100    | ≥100    | ≥100    | ≥100    | ≥100    | ≥100   | ≥100   | ≥100   | ≥100   | ≥100   | ≥100   |
| 接触电阻 (mΩ) | ≤5      | ≤5      | ≤5      | ≤5      | ≤5      | ≤5      | ≤5      | ≤5      | ≤5     | ≤3     | ≤3     | ≤3     | ≤3     | ≤3     |

# 芯位排布



面板开孔尺寸

A: 针脚高度

|     |                            |          |       |      |      |
|-----|----------------------------|----------|-------|------|------|
| 5   | M16 焊线式公针                  | 黄铜       | 镀金    | pc   | 2~24 |
| 4   | M16 法兰座外壳专用0型圈 Ø17×Ø14×1.5 | 橡胶       | /     | pc   | 1    |
| 3   | M16 圆形螺母 M18×0.75          | 黄铜       | 镀镍    | pc   | 1    |
| 2   | M16 板后安装插座公头外壳             | 黄铜       | 镀镍    | pc   | 1    |
| 1   | M16 常规公胶芯                  | 尼龙       | /     | pc   | 1    |
| No. | Specification              | Material | Treat | Unit | Q'ty |

|   |      |           |            |
|---|------|-----------|------------|
| GENERAL TOLERANCE (UNLESS SPECIFIED)                  | DWN  | DATE      |            |
|   | W.M  | 2022.10.8 |            |
|   | CHK  | DATE      |            |
| ≤10 ±0.1<br><10~≤20 ±0.2<br><20~≤50 ±0.5<br>Angle ±1° | APVD | DATE      | TITLE      |
|   | UNIT | REV       | PART NO    |
|   | MM   | A         |            |
| THIRD ANGLE   | SIZE | SHEET     | DRAWING NO |
|   | A4   | 1 OF 1    | M16-F-Px   |