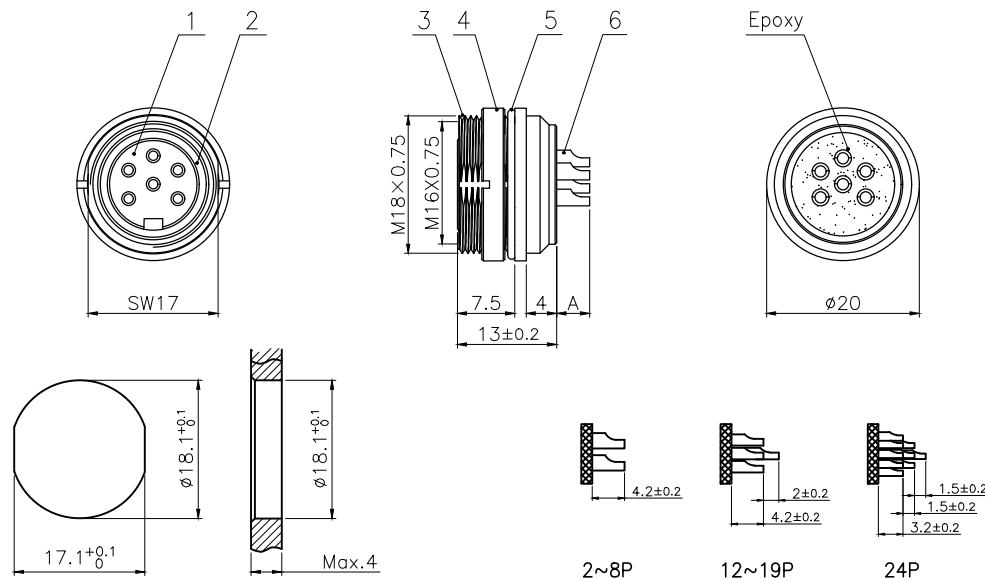
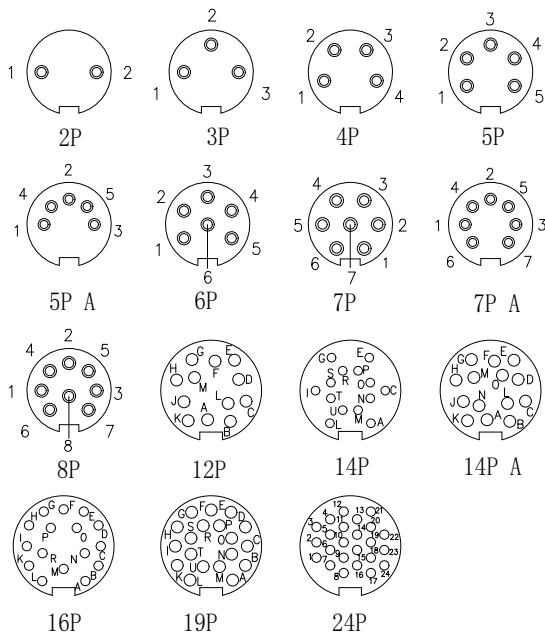


技术参数

| 芯数 | 2 | 3 | 4 | 5 | 5A | 6 | 7 | 7A | 8 | 12 | 14 | 14A | 19 | 24 |
|-----------|---------|---------|---------|---------|---------|---------|---------|---------|--------|--------|--------|--------|--------|--------|
| 额定电流/电压 | 7A/250V | 7A/250V | 6A/250V | 6A/250V | 6A/250V | 5A/250V | 5A/125V | 5A/125V | 5A/60V | 3A/60V | 3A/60V | 3A/60V | 3A/60V | 1A/60V |
| 额定脉冲电压 | 1500V | 1500V | 1500V | 1500V | 1500V | 1500V | 800V | 800V | 800V | 500V | 500V | 500V | 500V | 500V |
| 绝缘电阻 (MΩ) | ≥100 | ≥100 | ≥100 | ≥100 | ≥100 | ≥100 | ≥100 | ≥100 | ≥100 | ≥100 | ≥100 | ≥100 | ≥100 | ≥100 |
| 接触电阻 (mΩ) | ≤5 | ≤5 | ≤5 | ≤5 | ≤5 | ≤5 | ≤5 | ≤5 | ≤5 | ≤3 | ≤3 | ≤3 | ≤3 | ≤3 |

芯位排布



面板开孔尺寸

A: 针脚高度

| | | | | | |
|-----|--|----------|-------|------|------|
| 6 | M16 焊线式母针 | 磷铜 | 镀金 | pc | 2~24 |
| 5 | M16 法兰座外壳专用O型圈 $\phi 17 \times \phi 14 \times 1.5$ | 橡胶 | / | pc | 1 |
| 4 | M16 圆形螺母 M18×0.75 | 黄铜 | 镀镍 | pc | 1 |
| 3 | M16 板后安装插座母头外壳 | 黄铜 | 镀镍 | pc | 1 |
| 2 | M16 母头胶芯防水垫片 $\phi 14.7 \times \phi 11 - 1.5$ | 硅胶 | / | pc | 1 |
| 1 | M16 常规母胶芯 | 尼龙 | / | pc | 1 |
| No. | Specification | Material | Treat | Unit | Q'ty |

GENERAL TOLERANCE (UNLESS SPECIFIED)

≤10 ±0.1
 <10~≤20 ±0.2
 <20~≤50 ±0.5
 Angle ±1°

THIRD ANGLE

| | |
|------|-----------|
| DWN | DATE |
| W.M | 2022.10.8 |
| CHK | DATE |
| APVD | DATE |
| UNIT | REV |
| MM | A |
| SIZE | SHEET |
| A4 | 1 OF 1 |

TITLE
M16 板后安装孔型插座

PART NO

DRAWING NO
M16-F-Sx