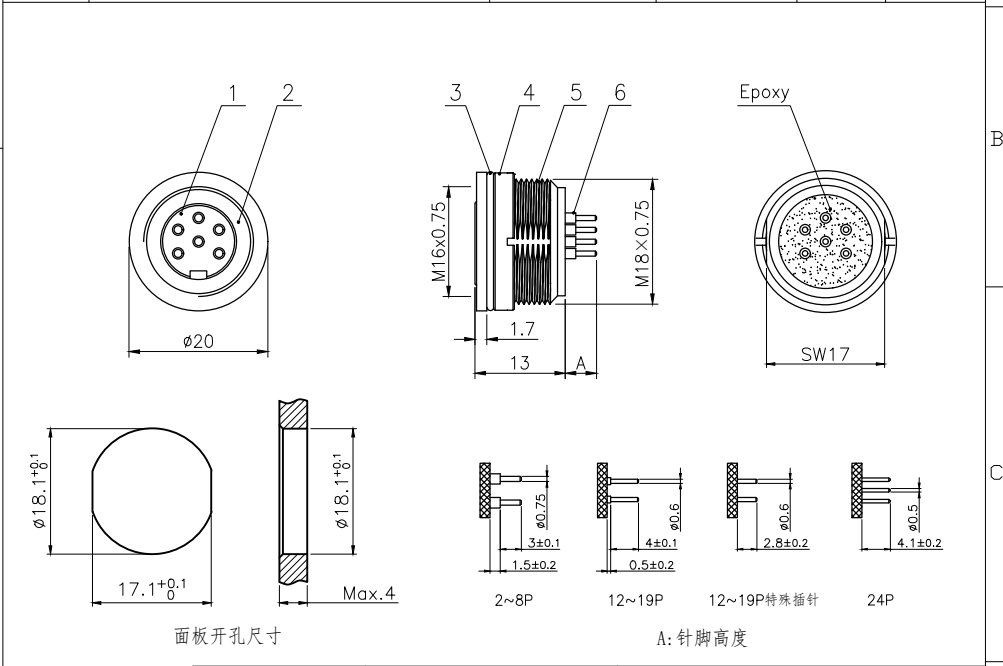


芯数	2	3	4	5	5A	6	7	7A	8	12	14	14A	16	19	24
额定电压	250V	250V	250V	250V	60V	250V	125V	125V	60V	60V	60V	60V	60V	60V	60V
额定电流	7A	7A	6A	6A	6A	5A	5A	5A	5A	3A	3A	3A	3A	3A	1A
额定冲击电压	1500	1500	1500	1500	500	1500	800	500	500	500	500	500	500	500	500
绝缘等级	III	III	III	III	III	III	III	III	III	III	III	III	III	III	III
接触电阻 (mΩ)	5	5	5	5	5	5	5	5	5	3	3	3	3	3	3

No.	Specification	Material	Treat	Unit	Q'ty
1	M16 常规母胶芯	尼龙	/	pc	1
2	M16 母头胶芯防水垫片 $\phi 14.7 \times \phi 11-1.5$	硅胶	/	pc	1
3	M16 法兰座外壳专用0型圈 $\phi 17 \times \phi 14 \times 1.5$	橡胶	/	pc	1
4	M16 圆形螺母 M18×0.75	黄铜	镀镍	pc	1
5	M16 板前安装插座母头外壳	黄铜	镀镍	pc	1
6	M16 插板式母针	磷铜	镀金	pc	2~24



GENERAL TOLERANCE (UNLESS SPECIFIED)	DWN	DATE	<b>CAZN 正成</b>
$\leq 10$ $\pm 0.1$	W.M	2022.10.8	
$< 10 \sim \leq 20$ $\pm 0.2$	CHK	DATE	
$< 20 \sim \leq 50$ $\pm 0.5$	APVD	DATE	
Angle $\pm 1'$	UNIT	REV	TITLE
	MM	A	M16 板前安装孔型插座 PCB板式
THIRD ANGLE	SIZE	SHEET	PART NO
	A4	1 OF 1	DRAWING NO
			M16-B1-Sx