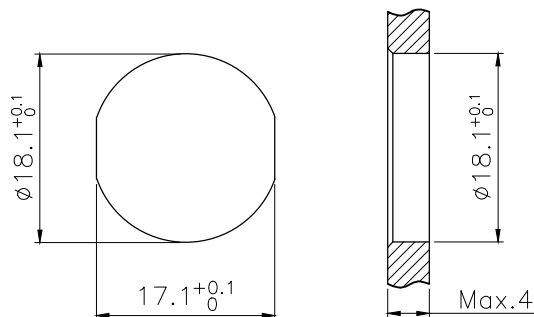
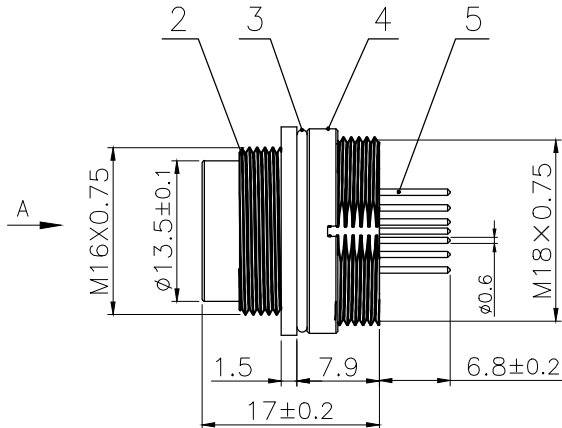
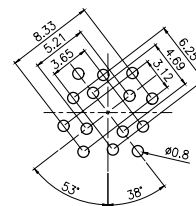
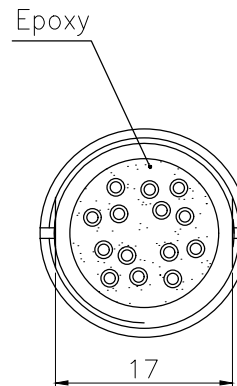


VIEW A



BOARD END HOLE
OPENING SIZE



RECOMMENDED
P.C.B LAYOUT

Technical specifications:		Materials:	
Coupling:	Threaded coupling	Shell material:	Copper nickel plated
Termination:	Dip solder	Contact material:	Copper Gold plated
Coding:	A	Insert material:	PA66+GF UL94 black
Pollution degree:	3	Sealing:	NBR
Temperature range:	-40°C ~ +80°C		
Degree of protection:	IP67		
Mating cycles:	≥500		
Rated voltage:	60V AC/DC		
Rated current:	3A		
Contact resistance:	≤3 mΩ		
Insulation resistance:	≥100 MΩ		

All materials are RoHS compliant

No.	Specification	Unit	Q'ty
5	M16 Male contact pin Gold plated OD:1.0	pc	5
4	Round nut M18*0.75	pc	1
3	Nitrile rubber 17*14*1.5 black	pc	1
2	M16 Panel front mount male socket shell screw M18*0.75	pc	1
1	M16 Male Insulator 7 core A code black	pc	1

GENERAL TOLERANCE (UNLESS SPECIFIED)		DWN	DATE	
≤10	±0.1	W.M	2024.4.23	
<10~≤20	±0.2	CHK	DATE	
<20~≤50	±0.5	APVD	DATE	TITLE
Angle	±1°			M16 Male Front Mount Socket 14 Core A Code
 THIRD ANGLE	UNIT	REV	PART NO	
	MM	A	C110206-00044	
	SIZE	SHEET	DRAWING NO	
	A4	1 OF 1	M16-P14A-GPBM18	