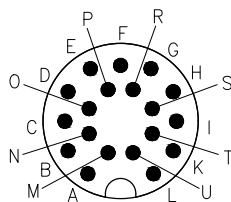
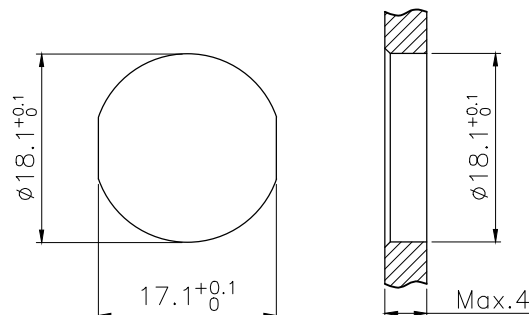


RECOMMENDED P.C.B LAYOUT



VIEW A



BOARD END HOLE OPENING SIZE

5	M16 Male contact pin Gold plated OD:1.0	pc	19
4	Round nut M18*0.75	pc	1
3	Nitrile rubber $\phi 17 \times 14 \times 1.5$ black	pc	1
2	M16 Panel front mount male socket shell screw M18*0.75	pc	1
1	M16 Male Insulator 19 core black	pc	1
No.	Specification	Unit	Q'ty

Technical specifications:		Materials:	
Coupling:	Threaded coupling	Shell material:	Copper nickel plated
Termination:	Dip solder	Contact material:	Copper Gold plated
Coding:		Insert material:	PA66+GF UL94 black
Pollution degree:	3	Sealing:	NBR
Temperature range:	-40°C ~ +80°C		
Degree of protection:	IP67		
Mating cycles:	≥ 500		
Rated voltage:	60V AC/DC		
Rated current:	3A		
Contact resistance:	≤ 3 mΩ		
Insulation resistance:	≥ 100 MΩ		
All materials are RoHS compliant			

GENERAL TOLERANCE (UNLESS SPECIFIED)	DWN	DATE	
	W.M	2024.4.23	
	CHK	DATE	
≤ 10 ± 0.1 $< 10 \sim \leq 20$ ± 0.2 $< 20 \sim \leq 50$ ± 0.5 Angle $\pm 1^\circ$	APVD	DATE	TITLE M16 Male Front Mount Socket 19 Core
	UNIT MM	REV A	PART NO C110206-00046
	SIZE A4	SHEET 1 OF 1	DRAWING NO M16-P19-GPBM18