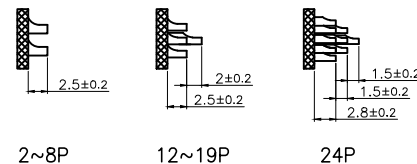
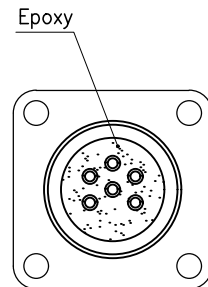
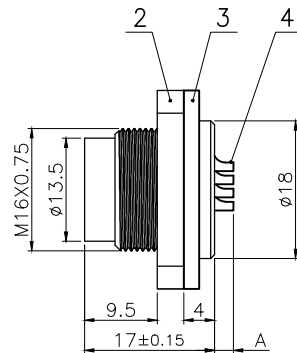
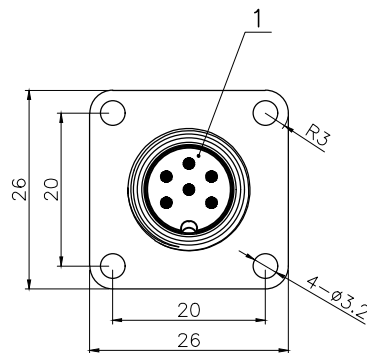
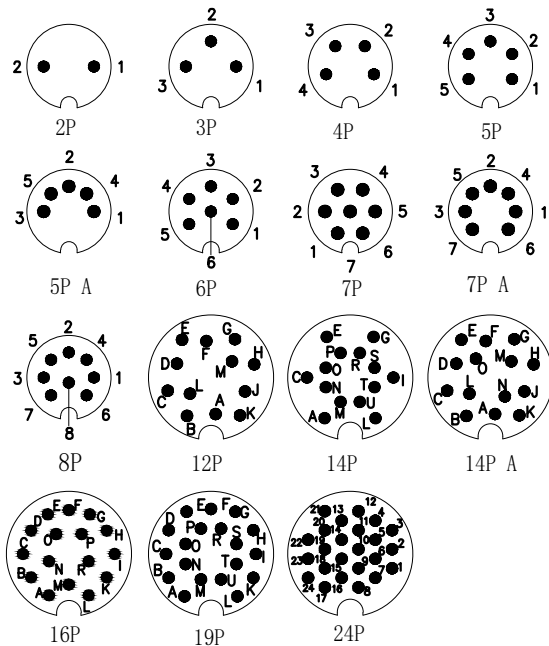


技术参数

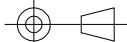
芯数	2	3	4	5	5A	6	7	7A	8	12	14	14A	19	24
额定电流/电压	7A/250V	7A/250V	6A/250V	6A/250V	6A/250V	5A/250V	5A/125V	5A/125V	5A/60V	3A/60V	3A/60V	3A/60V	3A/60V	1A/60V
额定脉冲电压	1500V	1500V	1500V	1500V	1500V	1500V	800V	800V	800V	500V	500V	500V	500V	500V
绝缘电阻 (MΩ)	≥100	≥100	≥100	≥100	≥100	≥100	≥100	≥100	≥100	≥100	≥100	≥100	≥100	≥100
接触电阻 (mΩ)	≤5	≤5	≤5	≤5	≤5	≤5	≤5	≤5	≤5	≤3	≤3	≤3	≤3	≤3

芯位排布



A: 针脚高度

4	M16 焊线式公针	黄铜	镀金	pc	2~24
3	M16 焊线式公针	硅胶	/	pc	1
2	M16 方形法兰公座外壳	黄铜	镀镍	pc	1
1	M16 常规公胶芯	尼龙	/	pc	1
No.	Specification	Material	Treat	Unit	Q'ty

GENERAL TOLERANCE (UNLESS SPECIFIED)	DWN	DATE
	W.M	2022.10.8
	CHK	DATE
≤10 ±0.1 <10~≤20 ±0.2 <20~≤50 ±0.5 Angle ±1°	APVD	DATE
	UNIT	REV
 THIRD ANGLE	MM	A
	SIZE	SHEET
A4	1 OF 1	

CAZN 正成

TITLE M16 针型方型插座

PART NO
DRAWING NO M16-H-Px