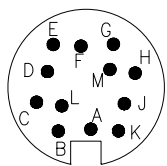
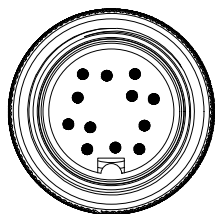


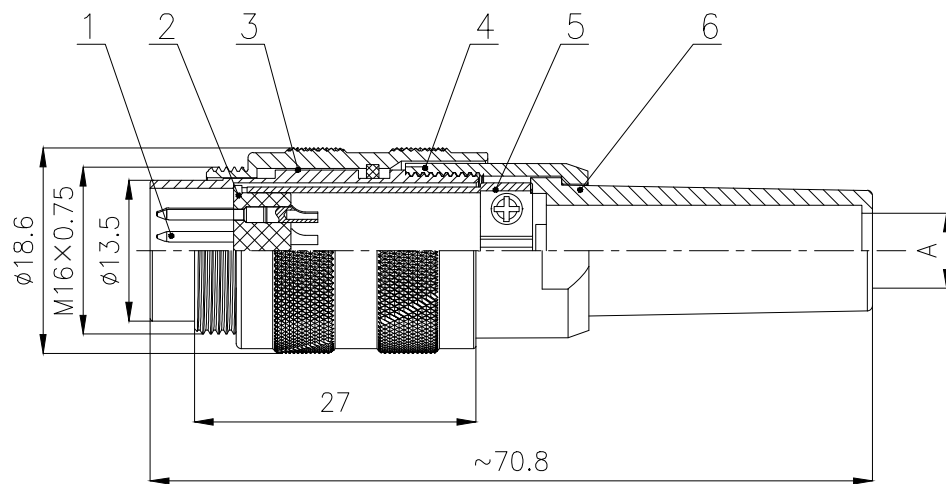
No.	Specification	Unit	Q'ty
1	Welding wire type, male contact pin, gold-plated OD:1.0	pc	12
2	M16 Assembly Male Insulator 12 core, black	pc	1
3	M16 Male shell combination kit (includes male connector sleeve, male insert housing, circlip)	pc	1
4	Liner nut plastic shell	pc	1
5	M16 Rubber shell combination kit,(including rubber shell, wire plate, wire plate screws)	pc	1
6	M16 Plastic liner,(including compression ring, jacket, liner)	pc	1



VIEW A



A



Technical specifications:		Electrical parameter:	
Coupling:	Threaded coupling	Rated voltage:	60V AC/DC
Termination:	Soldering	Rated current:	3A
Coding:		Contact resistance:	≤5 mΩ
Pollution degree:	3	Insulation resistance:	≥100 MΩ
		<u>Materials:</u>	
Temperature range:	-40°C ~ +80°C	Shell material:	Copper nickel plated
Degree of protection:	IP67	Contact material:	Copper Gold plated
Mating cycles:	≥500	Insert material:	PA66+GF UL94 black
Traverse area:	Max 0.25mm ² /AWG 24	Sealing:	Silicone, black

All materials are RoHS compliant

GENERAL TOLERANCE (UNLESS SPECIFIED)	≤10	±0.1
	<10~≤20	±0.2
	<20~≤50	±0.5
	Angle	±1°
 THIRD ANGLE	UNIT	REV
	MM	A
SIZE	SHEET	DRAWING NO
A4	1 OF 1	M16-P12-PWA6.5-PT

A Size of outlet:
 ø5.0 (5.0~6.5mm)
 ø6.5 (6.5~8.0mm)

CAZN 正成

TITLE
M16 Straight Male Plastic Plug 12 core

PART NO