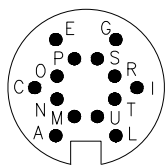
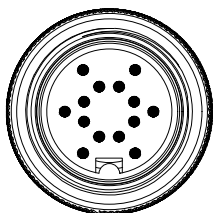


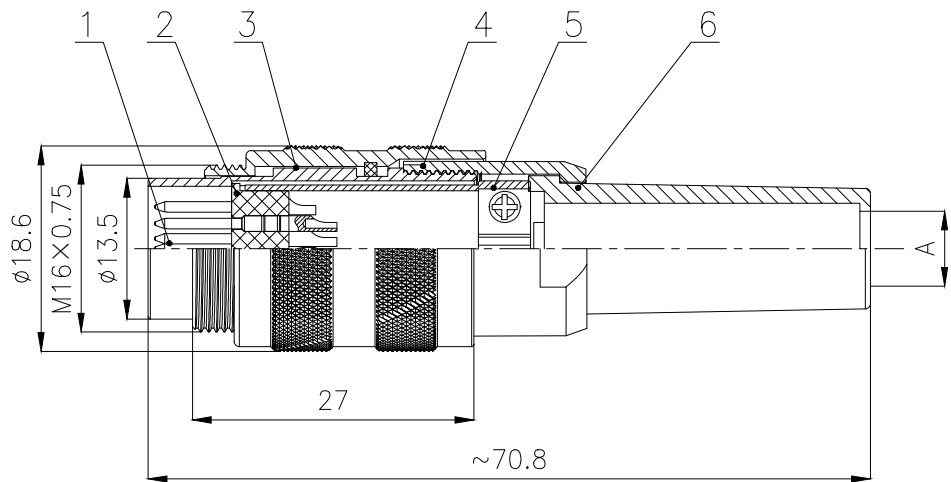
No.	Specification	Unit	Q'ty
1	Welding wire type, male contact pin, gold-plated OD:1.0	pc	14
2	M16 Assembly Male Insulator 14 core, black	pc	1
3	M16 Male shell combination kit (includes male connector sleeve, male insert housing, circlip)	pc	1
4	Liner nut plastic shell	pc	1
5	M16 Rubber shell combination kit,(including rubber shell, wire plate, wire plate screws)	pc	1
6	M16 Plastic liner,(including compression ring, jacket, liner)	pc	1



VIEW A



A



Technical specifications:		Electrical parameter:	
Coupling:	Threaded coupling	Rated voltage:	60V AC/DC
Termination:	Soldering	Rated current:	3A
Coding:		Contact resistance:	≤5 mΩ
Pollution degree:	3	Insulation resistance:	≥100 MΩ
		<b>Materials:</b>	
Temperature range:	-40°C ~ +80°C	Shell material:	Copper nickel plated
Degree of protection:	IP67	Contact material:	Copper Gold plated
Mating cycles:	≥500	Insert material:	PA66+GF UL94 black
Traverse area:	Max 0.25mm <sup>2</sup> /AWG 24	Sealing:	Silicone, black

All materials are RoHS compliant

A Size of outlet:  
 φ5.0 (5.0~6.5mm)  
 φ6.5 (6.5~8.0mm)

GENERAL TOLERANCE (UNLESS SPECIFIED)	DWN	DATE
	W.M	2024.2.19
	CHK	DATE
≤10 ±0.1 <10~≤20 ±0.2 <20~≤50 ±0.5 Angle ±1°	APVD	DATE
 THIRD ANGLE	UNIT	REV
	MM	A
SIZE	SHEET	DRAWING NO
A4	1 OF 1	M16-P14-PWA6.5-PT



TITLE  
M16 Straight Male Plastic Plug 14 core

PART NO