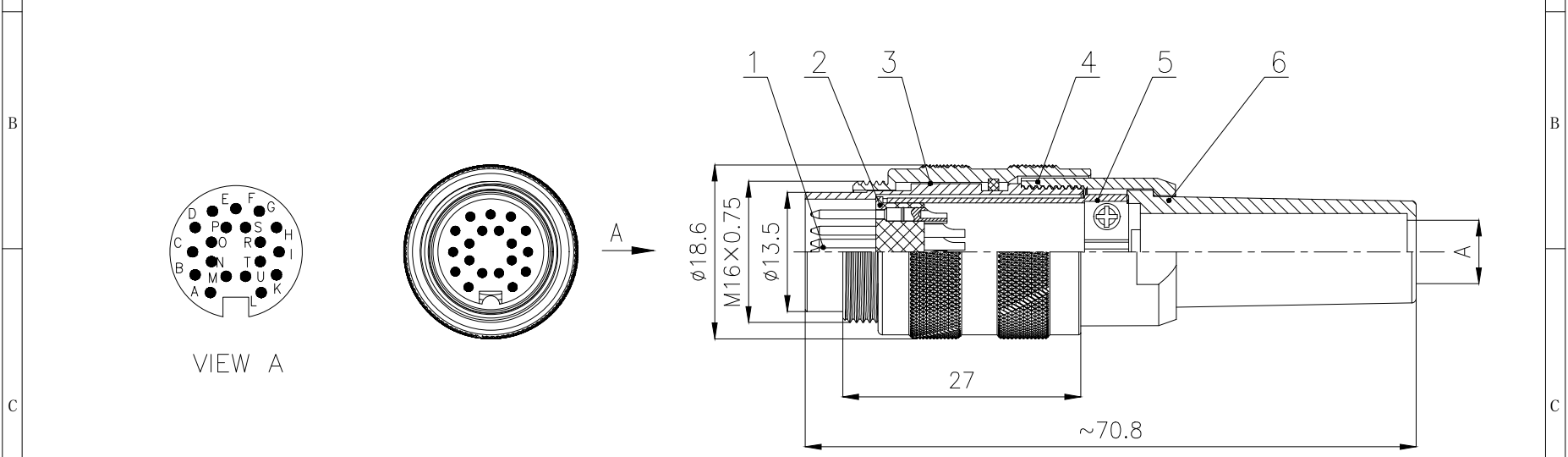



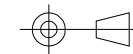
| No. | Specification | Unit | Q'ty |
|-----|---|------|------|
| 1 | Welding wire type, male contact pin, gold-plated OD:1.0 | pc | 19 |
| 2 | M16 Assembly Male Insulator 19 core, black | pc | 1 |
| 3 | M16 Male shell combination kit (includes male connector sleeve, male insert housing, circlip) | pc | 1 |
| 4 | Liner nut plastic shell | pc | 1 |
| 5 | M16 Rubber shell combination kit,(including rubber shell, wire plate, wire plate screws) | pc | 1 |
| 6 | M16 Plastic liner,(including compression ring, jacket, liner) | pc | 1 |



| Technical specifications: | | Electrical parameter: | |
|---------------------------|--------------------|------------------------|----------------------|
| Coupling: | Threaded coupling | Rated voltage: | 60V AC/DC |
| Termination: | Soldering | Rated current: | 3A |
| Coding: | | Contact resistance: | ≤5 mΩ |
| Pollution degree: | 3 | Insulation resistance: | ≥100 MΩ |
| | | Materials: | |
| Temperature range: | -40°C ~ +80°C | Shell material: | Copper nickel plated |
| Degree of protection: | IP67 | Contact material: | Copper Gold plated |
| Mating cycles: | ≥500 | Insert material: | PA66+GF UL94 black |
| Traverse area: | Max 0.25mm²/AWG 24 | Sealing: | Silicone, black |

All materials are RoHS compliant

A Size of outlet:
 Ø5.0 (5.0~6.5mm)
 Ø6.5 (6.5~8.0mm)

| | | | |
|--|------|-----------|---|
| GENERAL TOLERANCE (UNLESS SPECIFIED) | DWN | DATE |  |
| | W.M | 2024.2.19 | |
| | CHK | DATE | |
| ≤10 ±0.1 <10~≤20 ±0.2 <20~≤50 ±0.5 Angle ±1° | APVD | DATE | TITLE |
|  | UNIT | REV | PART NO |
| THIRD ANGLE | MM | A | |
| | SIZE | SHEET | DRAWING NO |
| | A4 | 1 OF 1 | M16-P19-PWA6.5-PT |