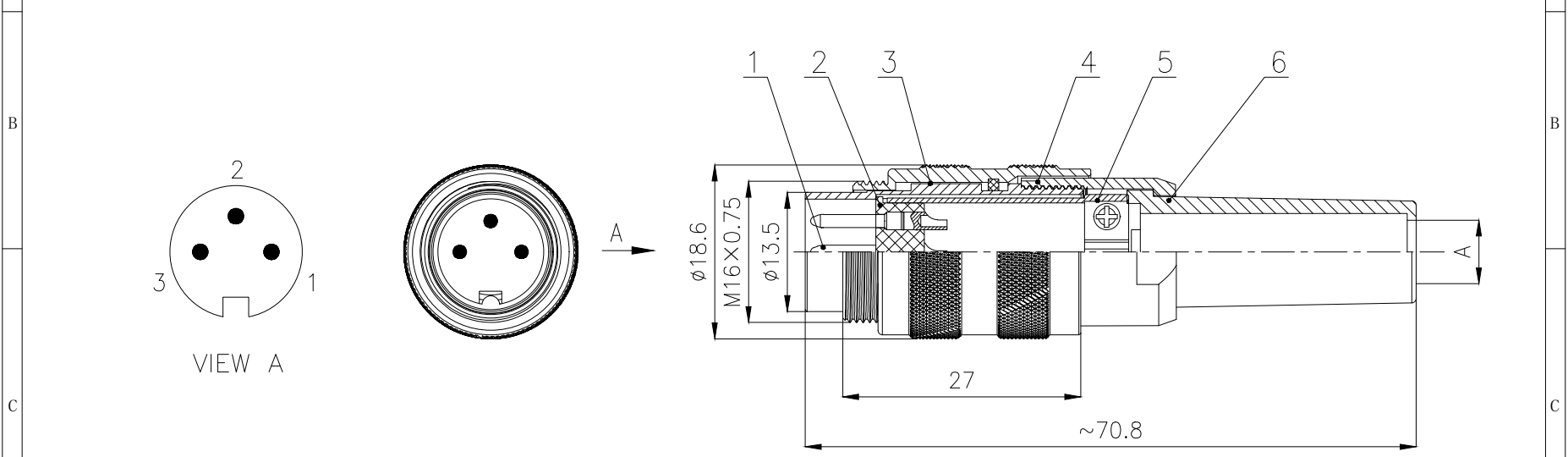



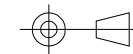
No.	Specification	Unit	Q'ty
1	Welding wire type, male contact pin, gold-plated OD:1.5	pc	3
2	M16 Assembly Male Insulator 3 core, black	pc	1
3	M16 Male shell combination kit (includes male connector sleeve, male insert housing, circlip)	pc	1
4	Liner nut plastic shell	pc	1
5	M16 Rubber shell combination kit,(including rubber shell, wire plate, wire plate screws)	pc	1
6	M16 Plastic liner,(including compression ring, jacket, liner)	pc	1



Technical specifications:		Electrical parameter:	
Coupling:	Threaded coupling	Rated voltage:	250V AC/DC
Termination:	Soldering	Rated current:	7A
Coding:		Contact resistance:	≤5 mΩ
Pollution degree:	3	Insulation resistance:	≥100 MΩ
		Materials:	
Temperature range:	-40°C ~ +80°C	Shell material:	Copper nickel plated
Degree of protection:	IP67	Contact material:	Copper Gold plated
Mating cycles:	≥500	Insert material:	PA66+GF UL94 black
Traverse area:	Max 0.75mm²/AWG 20	Sealing:	Silicone, black

All materials are RoHS compliant

A Size of outlet:
 Ø5.0 (5.0~6.5mm)
 Ø6.5 (6.5~8.0mm)

GENERAL TOLERANCE (UNLESS SPECIFIED)	DWN	DATE	
	W.M	2024.2.19	
	CHK	DATE	
≤10 ±0.1 <10~≤20 ±0.2 <20~≤50 ±0.5 Angle ±1°	APVD	DATE	TITLE M16 Straight Male Plastic Plug 3 core
	UNIT MM	REV A	PART NO
	SIZE A4	SHEET 1 OF 1	DRAWING NO M16-P3-PWA6.5-PT