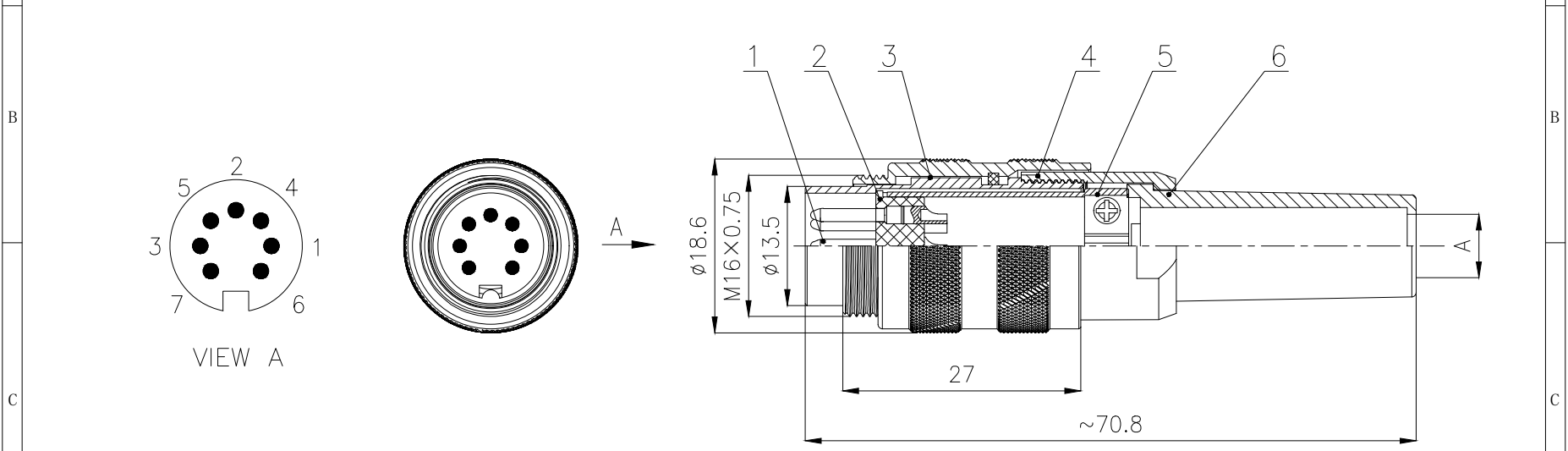


| No. | Specification | Unit | Q'ty |
|-----|---|------|------|
| 1 | Welding wire type, male contact pin, gold-plated OD:1.5 | pc | 7 |
| 2 | M16 Assembly Male Insulator 7 core A code, black | pc | 1 |
| 3 | M16 Male shell combination kit (includes male connector sleeve, male insert housing, circlip) | pc | 1 |
| 4 | Liner nut plastic shell | pc | 1 |
| 5 | M16 Rubber shell combination kit,(including rubber shell, wire plate, wire plate screws) | pc | 1 |
| 6 | M16 Plastic liner,(including compression ring, jacket, liner) | pc | 1 |



| Technical specifications: | | Electrical parameter: | |
|---------------------------|--------------------|------------------------|----------------------|
| Coupling: | Threaded coupling | Rated voltage: | 250V AC/DC |
| Termination: | Soldering | Rated current: | 5A |
| Coding: | A | Contact resistance: | ≤5 mΩ |
| Pollution degree: | 3 | Insulation resistance: | ≥100 MΩ |
| | | Materials: | |
| Temperature range: | -40°C ~ +80°C | Shell material: | Copper nickel plated |
| Degree of protection: | IP67 | Contact material: | Copper Gold plated |
| Mating cycles: | ≥500 | Insert material: | PA66+GF UL94 black |
| Traverse area: | Max 0.75mm²/AWG 20 | Sealing: | Silicone, black |

All materials are RoHS compliant

| | | | | |
|--------------------------------------|------|------|-----------|--|
| GENERAL TOLERANCE (UNLESS SPECIFIED) | | DWN | DATE | |
| ≤10 | ±0.1 | W.M | 2024.2.19 | |
| <10~≤20 | ±0.2 | CHK | DATE | |
| <20~≤50 | ±0.5 | APVD | DATE | TITLE |
| Angle | ±1° | | | M16 Straight Male Plastic Plug 7 core A code |
| THIRD ANGLE | | UNIT | REV | PART NO |
| | | MM | A | |
| | | SIZE | SHEET | DRAWING NO |
| | | A4 | 1 OF 1 | M16-P7A-PWA6.5-PT |

A Size of outlet:
 Ø5.0 (5.0~6.5mm)
 Ø6.5 (6.5~8.0mm)