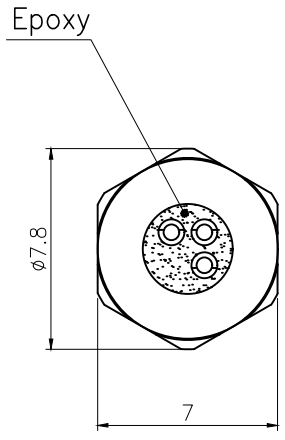
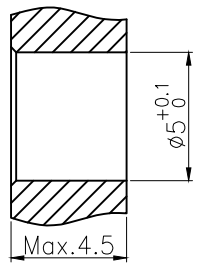
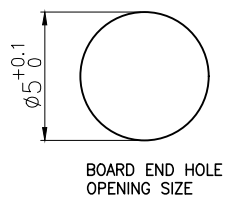
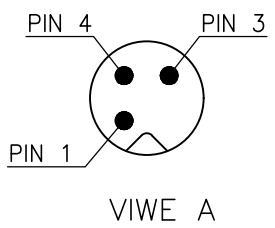
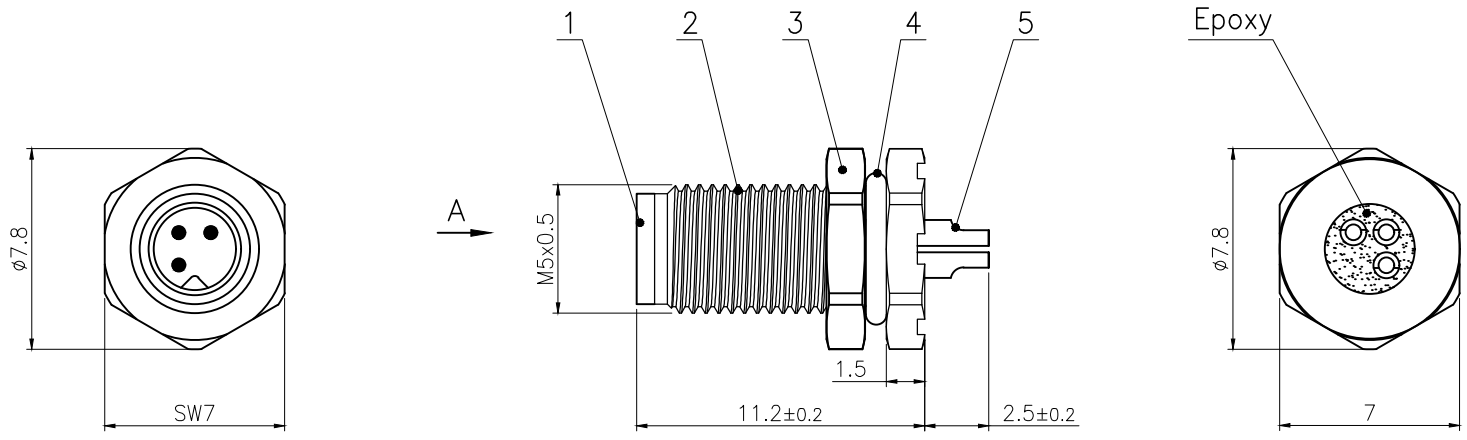


Revisions			
Rev.	Description	ECN No.	Date



Technical specifications:		Materials:	
Coupling:	Threaded coupling	Shell material:	Brass nickel plated
Termination:	Soldering	Contact material:	Brass Gold plated
Coding:		Insert material:	PA66+GF UL94 black
Pollution degree:	3	Sealing:	NBR
Temperature range:	-40°C ~ +85°C		
Degree of protection:	IP67 when mated		
Mating cycles:	≥500		
Rated voltage:	60V AC/DC		
Rated current:	1A		
Contact resistance:	≤5 mΩ		
Insulation resistance:	≥100 MΩ		
All materials are RoHS compliant			

No.	Specification	Unit	Q'ty
5	M5 Male contact pin, brass gold plated	pc	3
4	M5 Shell 0-ring ø5X0.8, NBR black	pc	1
3	Hexagon nut M5X0.5, brass nickel plated	pc	1
2	M5 Panel back mount male socket shell, brass nickel plated	pc	1
1	M5 Male Insulator(3 core), PA+GF black	pc	1

GENERAL TOLERANCE (UNLESS SPECIFIED)	≤10	±0.1	
	<10~≤20	±0.2	
	<20~≤50	±0.5	
 THIRD ANGLE	DWN	DATE	<b>TITLE</b> M5 Male Back Mount Socket 3 core
	W.M	2022.6.6	
	CHK	DATE	
APVD	DATE	<b>PART NO</b> 050013-03A000000	
UNIT	REV	<b>DRAWING NO</b> M5-F-P3	
MM	A		
SIZE	SHEET		
A4	1 OF 1		