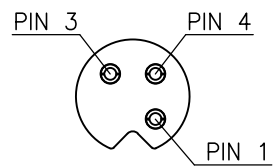
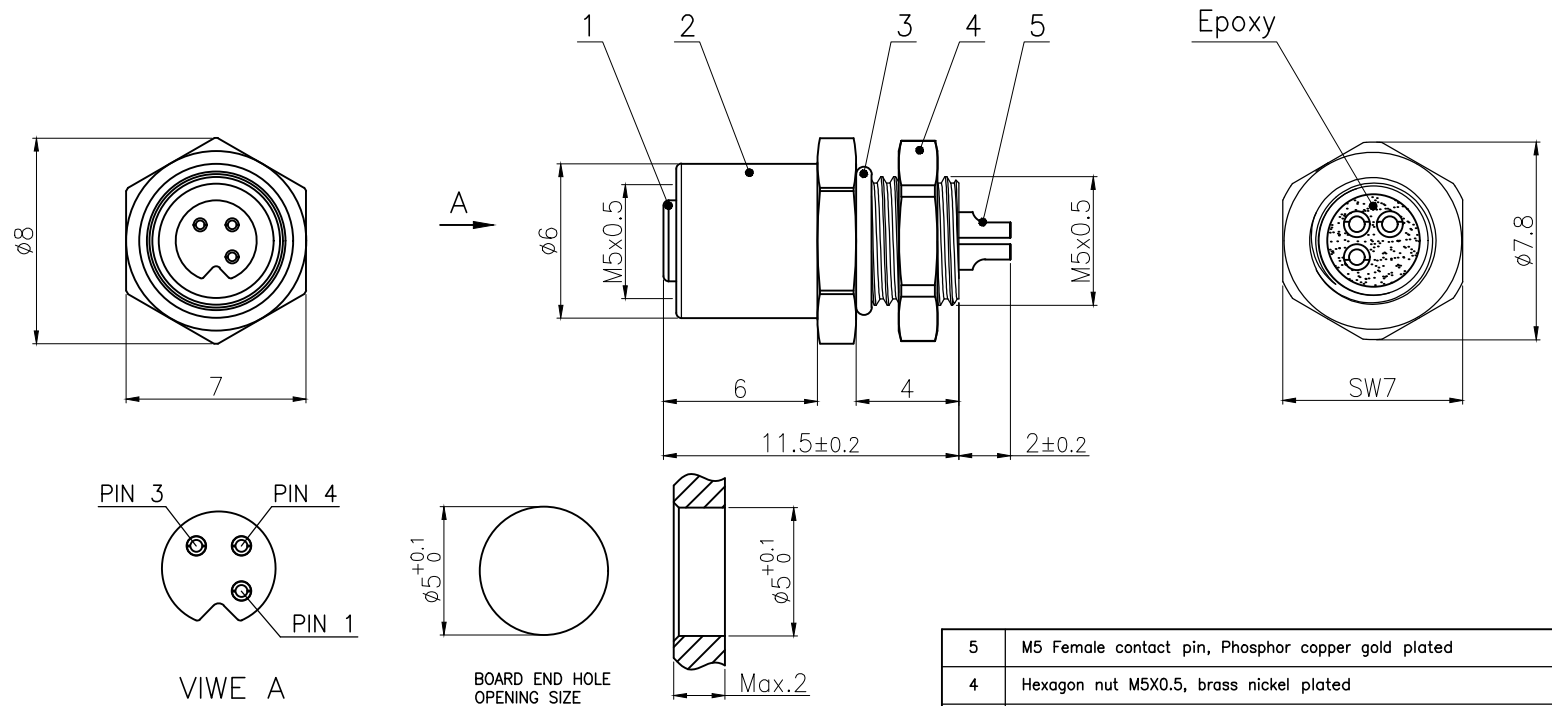
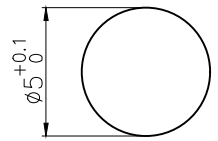


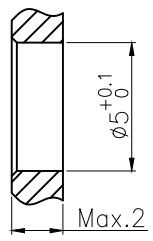
Revisions			
Rev.	Description	ECN No.	Date



VIWE A



BOARD END HOLE OPENING SIZE



No.	Specification	Unit	Q'ty
5	M5 Female contact pin, Phosphor copper gold plated	pc	3
4	Hexagon nut M5X0.5, brass nickel plated	pc	1
3	M5 Shell O-ring 0-ring 05X0.8, NBR black	pc	1
2	M5 Panel front mount Female socket shell, brass nickel plated	pc	1
1	M5 Femate Insulator(3 core), PA+GF black	pc	1

Technical specifications:		Materials:	
Coupling:	Threaded coupling	Shell material:	Brass nickel plated
Termination:	Soldering	Contact material:	Phosphor copper Gold plated
Coding:		Insert material:	PA66+GF UL94 black
Pollution degree:	3	Sealing:	NBR
Temperature range:	-40°C ~ +85°C		
Degree of protection:	IP67 when mated		
Mating cycles:	≥500		
Rated voltage:	60V AC/DC		
Rated current:	1A		
Contact resistance:	≤5 mΩ		
Insulation resistance:	≥100 MΩ		

All materials are RoHS compliant

GENERAL TOLERANCE (UNLESS SPECIFIED)	DWN	DATE	
	W.M	2022.6.6	
≤10 ±0.1 <10~≤20 ±0.2 <20~≤50 ±0.5	CHK	DATE	
	APVD	DATE	TITLE
 THIRD ANGLE	UNIT	REV	PART NO
	MM	A	050011-03A000000
	SIZE	SHEET	DRAWING NO
	A4	1 OF 1	M5-B-S3