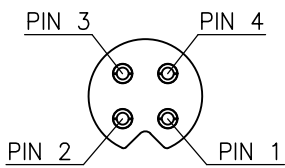
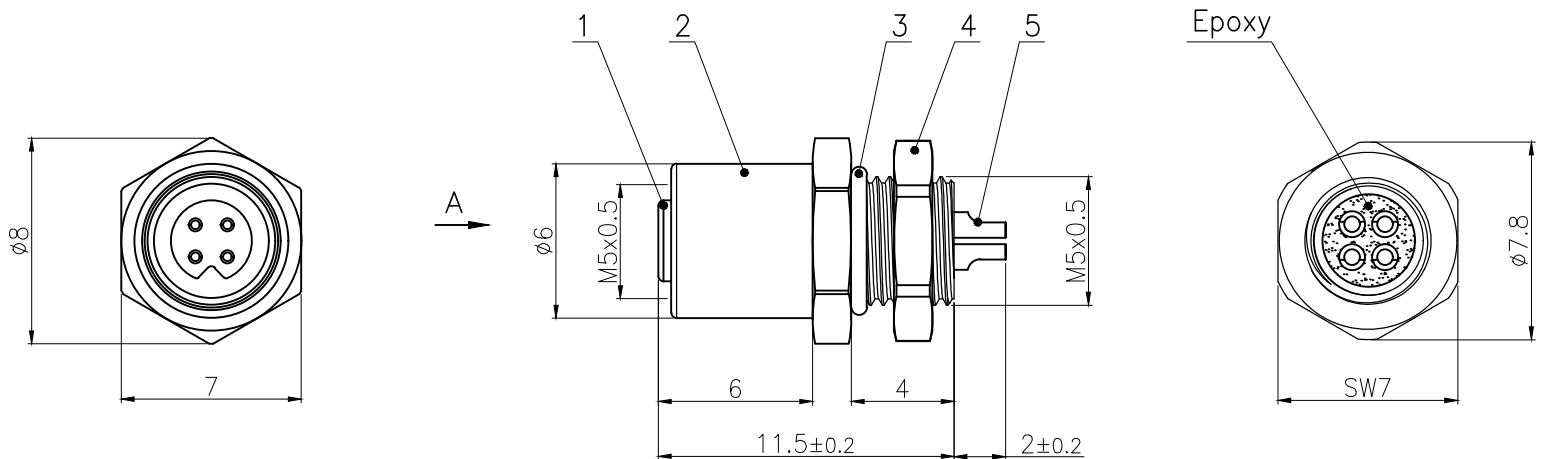
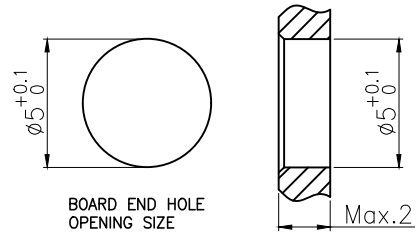


Revisions			
Rev.	Description	ECN No.	Date



VIWE A



BOARD END HOLE OPENING SIZE

No.	Specification	Unit	Q'ty
5	M5 Female contact pin, Phosphor copper gold plated	pc	4
4	Hexagon nut M5X0.5, brass nickel plated	pc	1
3	M5 Shell O-ring ø5X0.8, NBR black	pc	1
2	M5 Panel front mount Female socket shell, brass nickel plated	pc	1
1	M5 Femate Insulator(4 core), PA+GF black	pc	1

Technical specifications:		Materials:	
Coupling:	Threaded coupling	Shell material:	Brass nickel plated
Termination:	Soldering	Contact material:	Phosphor copper Gold plated
Coding:		Insert material:	PA66+GF UL94 black
Pollution degree:	3	Sealing:	NBR
Temperature range:	-40°C ~ +85°C		
Degree of protection:	IP67 when mated		
Mating cycles:	≥500		
Rated voltage:	60V AC/DC		
Rated current:	1A		
Contact resistance:	≤5 mΩ		
Insulation resistance:	≥100 MΩ		
All materials are RoHS compliant			

GENERAL TOLERANCE (UNLESS SPECIFIED)		DWN DATE		
≤10	±0.1	W.M	2022.6.6	
<10~≤20	±0.2	CHK	DATE	
<20~≤50	±0.5	APVD	DATE	TITLE
 THIRD ANGLE		UNIT	REV	PART NO
		MM	A	050011-04A000000
		SIZE	SHEET	DRAWING NO
A4	1 OF 1	M5-B-S4		