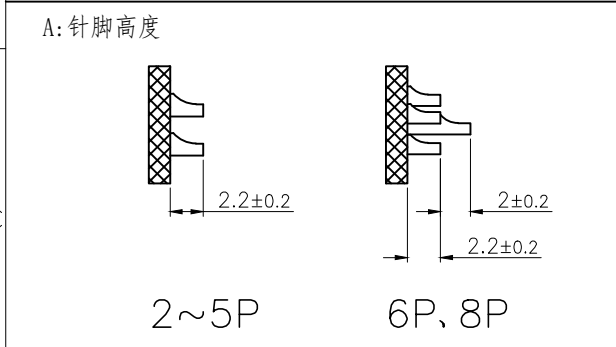
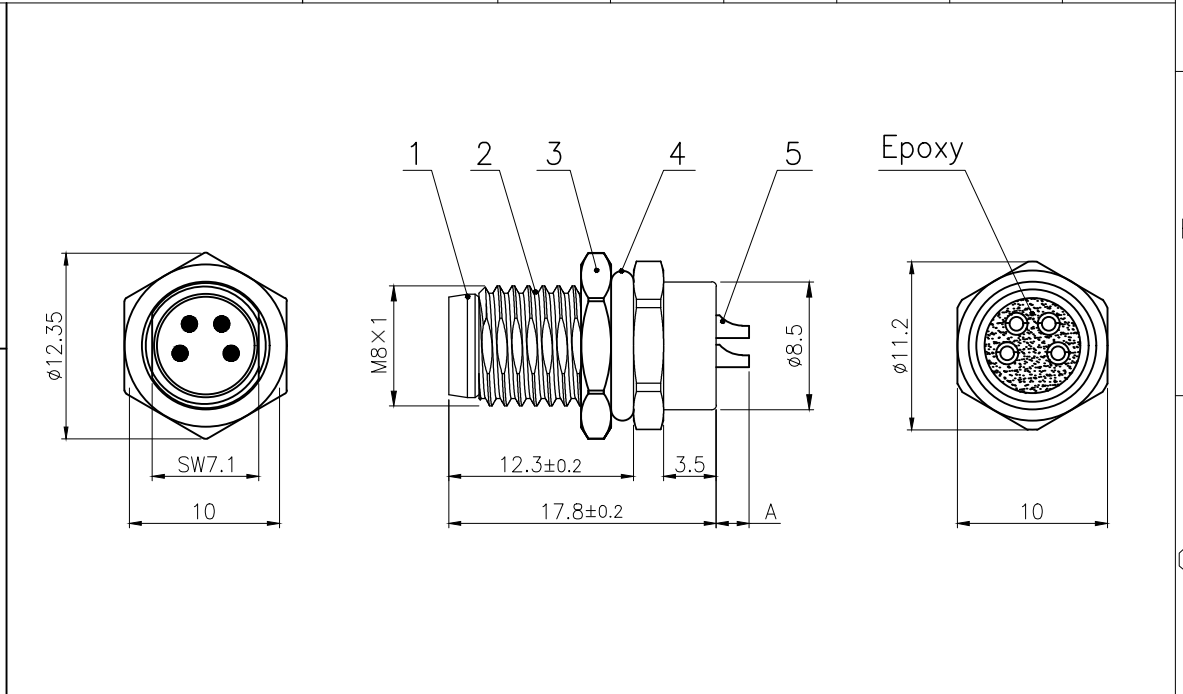
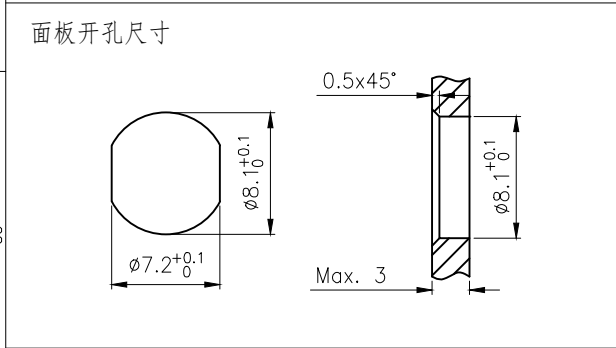


芯数	3	4	4D	5B	6	8
额定电流/电压	3A/60V	3A/60V	4A/60V	3A/30V	1.5A/30V	1.5A/30V
额定脉冲电压	800V	800V	800V	800V	800V	800V
绝缘阻抗 (MΩ)	≥500	≥500	≥500	≥500	≥500	≥500
接触阻抗 (MΩ)	≤ 5	≤ 5	≤ 5	≤ 5	≤ 5	≤ 5



5	M8 焊线式针	黄铜	镀金	pc	3~8	GENERAL TOLERANCE (UNLESS SPECIFIED) $\leq 10 \pm 0.1$ $< 10 \sim \leq 20 \pm 0.2$ $< 20 \sim \leq 50 \pm 0.5$ Angle $\pm 3^\circ$	DWN	DATE	
4	M8 壳体防水O型圈 $\phi 9 \times \phi 6 \times 1.5$	橡胶	/	pc	1		W.M	2022.6.21	
3	M8 锁板六角螺母 M8x1	黄铜	镀镍	pc	1		CHK	DATE	
2	M8 双切边板后安装插座公头外壳	黄铜	镀镍	pc	1	APVD	DATE	TITLE	M8 板后安装针型插座
1	M8 常规公胶芯	尼龙	/	pc	1	UNIT	REV	PART NO	
No.	Specification	Material	Treat	Unit	Q'ty	MM	A	DRAWING NO	
						SIZE	SHEET		
						A4	1 OF 1		M8-F-Px

