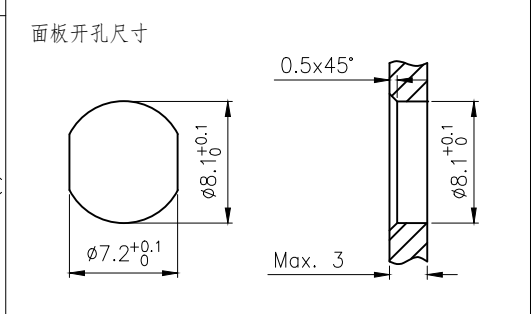
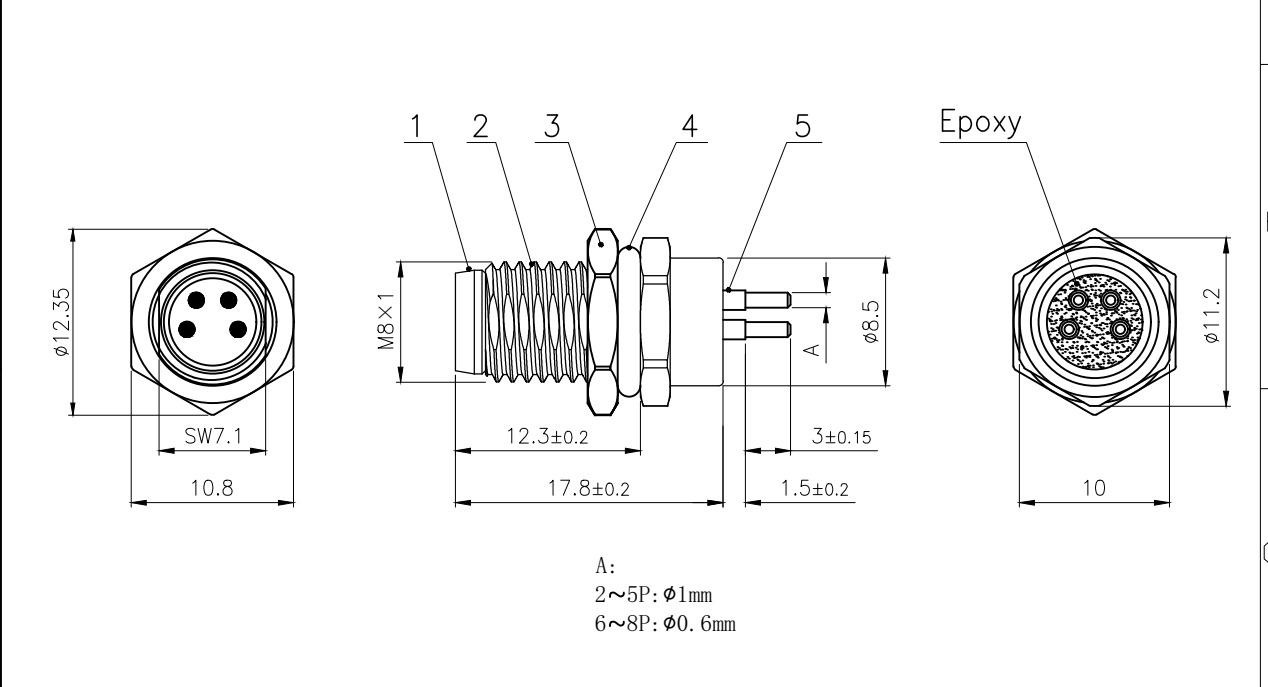
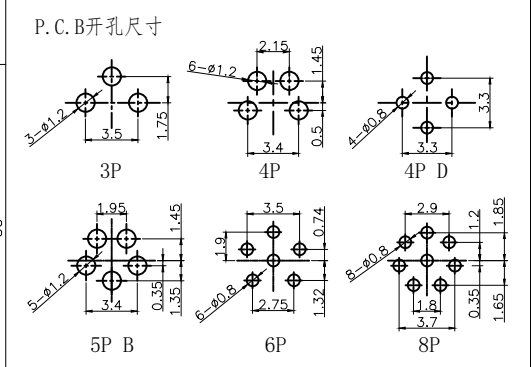


芯数	3	4	4D	5B	6	8
额定电流/电压	3A/60V	3A/60V	4A/60V	3A/30V	1.5A/30V	1.5A/30V
额定脉冲电压	800V	800V	800V	800V	800V	800V
绝缘阻抗 (MΩ)	≥500	≥500	≥500	≥500	≥500	≥500
接触阻抗 (MΩ)	≤ 5	≤ 5	≤ 5	≤ 5	≤ 5	≤ 5



5	M8 插板式公针	黄铜	镀金	pc	3~8	GENERAL TOLERANCE (UNLESS SPECIFIED) ≤10 ±0.1 <10~≤20 ±0.2 <20~≤50 ±0.5 Angle ±3°	DWN	DATE	
4	M8 壳体防水O型圈φ9×φ6×1.5	橡胶	/	pc	1		W.M	2022.6.21	
3	M8 锁板六角螺母 M8×1	黄铜	镀镍	pc	1		CHK	DATE	
2	M8 双切边板后安装插座公头外壳	黄铜	镀镍	pc	1	APVD	DATE	TITLE	M8 板后安装针型插座 PCB板式
1	M8 常规公胶芯	尼龙	/	pc	1	UNIT	REV	PART NO	
No.	Specification	Material	Treat	Unit	Q'ty	MM	A	DRAWING NO	M8-F1-Px
						SIZE	SHEET		
						A4	1 OF 1		

