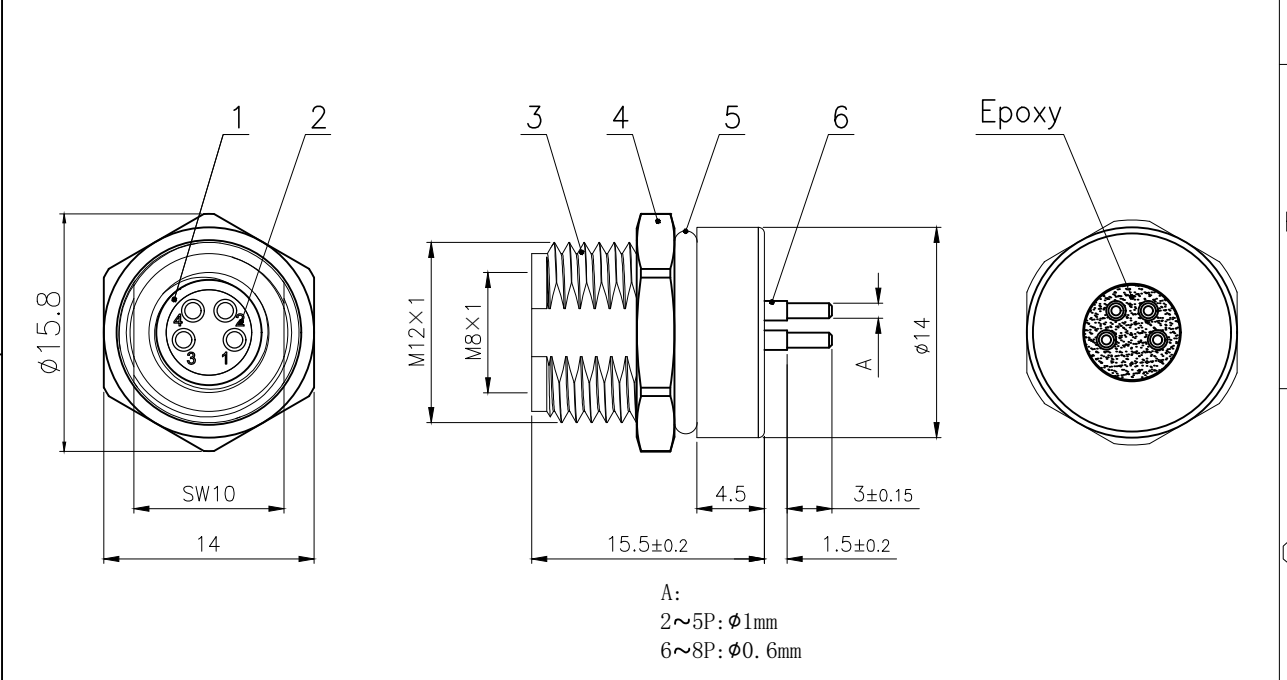
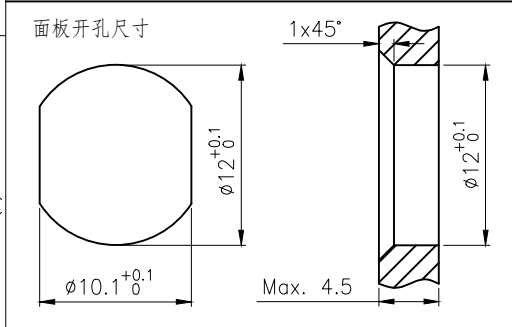
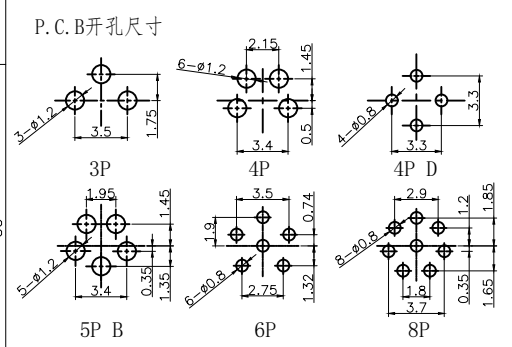


芯数	3	4	4D	5B	6	8
额定电流/电压	3A/60V	3A/60V	4A/60V	3A/30V	1.5A/30V	1.5A/30V
额定脉冲电压	800V	800V	800V	800V	800V	800V
绝缘阻抗 (MΩ)	≥500	≥500	≥500	≥500	≥500	≥500
接触阻抗 (MΩ)	≤ 5	≤ 5	≤ 5	≤ 5	≤ 5	≤ 5



No.	Specification	Material	Treat	Unit	Q'ty
6	M8 插板式母针	磷铜	镀金	pc	3~8
5	M8 壳体防水O型圈 φ12×φ9×1.5	橡胶	/	pc	1
4	M8 锁板六角螺母M12×1	黄铜	镀镍	pc	1
3	M8 双切边板后安装插座母头外壳	黄铜	镀镍	pc	1
2	M8 常规母胶芯	尼龙	/	pc	1
1	M8 胶芯防水O型圈 φ9Xφ6X1.5	橡胶	/	pc	1

GENERAL TOLERANCE (UNLESS SPECIFIED)	≤10	±0.1	DWN	DATE	
	<10~≤20	±0.2		W.M	
<20~≤50	±0.5	CHK	DATE		
Angle	±3°	APVD	DATE	TITLE	M8 板后安装孔型插座 PCB板式
 THIRD ANGLE	UNIT	REV	UNIT	REV	PART NO
	MM	A	MM	A	
	SIZE	SHEET	SIZE	SHEET	DRAWING NO
	A4	1 OF 1		1 OF 1	M8-F1-Sx