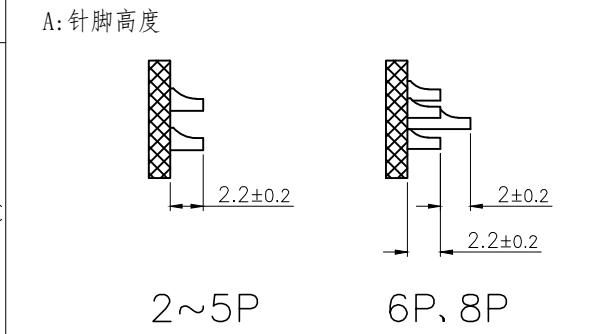
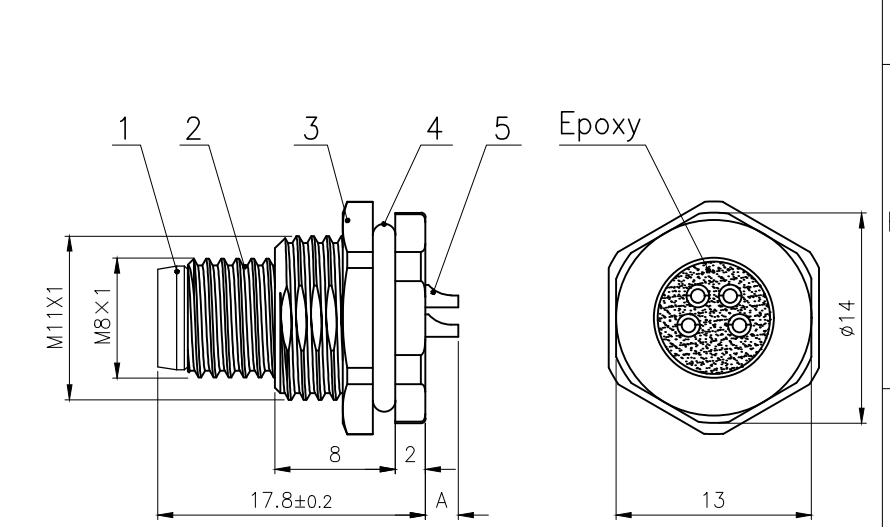
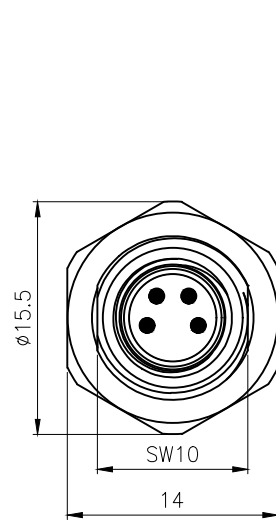
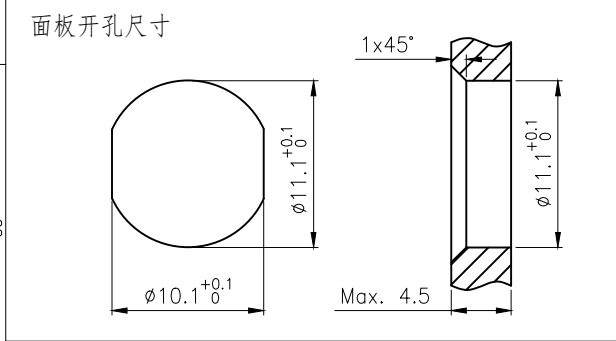


芯数	3	4	4D	5B	6	8
额定电流/电压	3A/60V	3A/60V	4A/60V	3A/30V	1.5A/30V	1.5A/30V
额定脉冲电压	800V	800V	800V	800V	800V	800V
绝缘阻抗 (MΩ)	≥500	≥500	≥500	≥500	≥500	≥500
接触阻抗 (MΩ)	≤ 5	≤ 5	≤ 5	≤ 5	≤ 5	≤ 5



No.	Specification	Material	Treat	Unit	Q'ty
5	M8 焊线式公针	黄铜	镀金	pc	3~8
4	M8 壳体防水O型圈 $\phi 12 \times \phi 9 \times 1.5$	橡胶	/	pc	1
3	M8 锁板六角螺母 M11×1	黄铜	镀镍	pc	1
2	M8 双切边板后公座外壳	黄铜	镀镍	pc	1
1	M8 常规公胶芯	尼龙	/	pc	1

GENERAL TOLERANCE (UNLESS SPECIFIED)	DWN	DATE	
	W.M	2022.6.21	
≤10 ±0.1	CHK	DATE	TITLE
<10~≤20 ±0.2			
<20~≤50 ±0.5	APVD	DATE	PART NO
Angle ±3°			
 THIRD ANGLE	UNIT	REV	DRAWING NO
	MM	A	
	SIZE	SHEET	
	A4	1 OF 1	M8-F2-Px