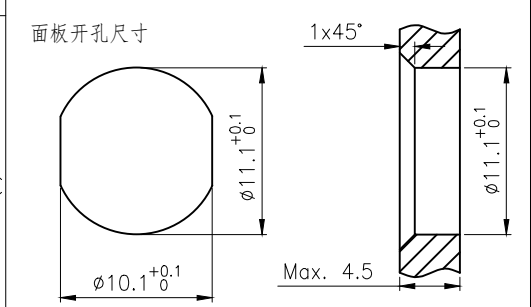
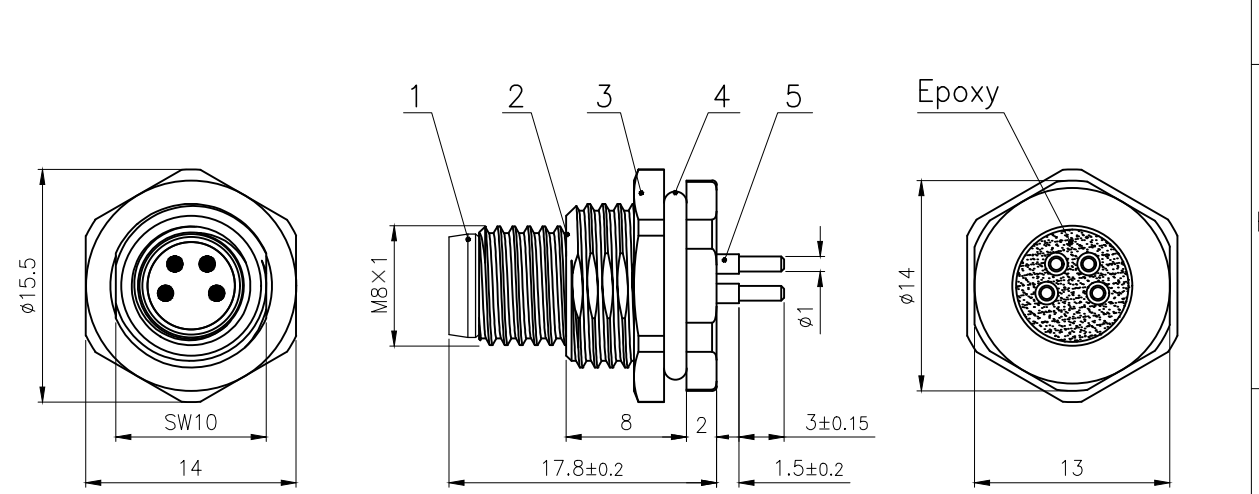
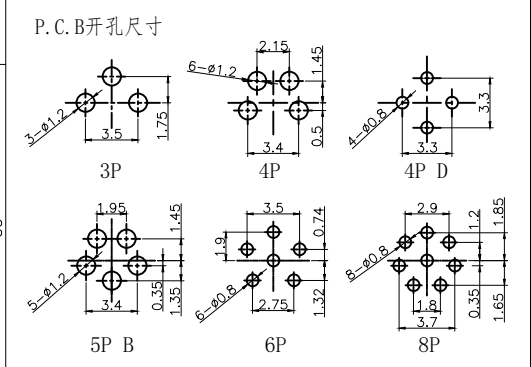


芯数	3	4	4D	5B	6	8
额定电流/电压	3A/60V	3A/60V	4A/60V	3A/30V	1.5A/30V	1.5A/30V
额定脉冲电压	800V	800V	800V	800V	800V	800V
绝缘阻抗 (MΩ)	≥500	≥500	≥500	≥500	≥500	≥500
接触阻抗 (MΩ)	≤ 5	≤ 5	≤ 5	≤ 5	≤ 5	≤ 5



A:  
2~5P: Ø1mm  
6~8P: Ø0.6mm

No.	Specification	Material	Treat	Unit	Q'ty
5	M8 插板式公针	黄铜	镀金	pc	3~8
4	M8 壳体防水O型圈Ø12×Ø9×1.5	橡胶	/	pc	1
3	M8 锁板六角螺母 M11×1	黄铜	镀镍	pc	1
2	M8 双切边板后公座外壳	黄铜	镀镍	pc	1
1	M8 常规公胶芯	尼龙	/	pc	1

GENERAL TOLERANCE (UNLESS SPECIFIED)	≤10	±0.1
	<10~≤20	±0.2
	<20~≤50	±0.5
	Angle	±3°
THIRD ANGLE		

DWN	DATE	
W.M	2022.6.21	
CHK	DATE	
APVD	DATE	TITLE
		M8 板后安装针型插座 PCB板式 锁板螺母M11X1
UNIT	REV	PART NO
MM	A	
SIZE	SHEET	DRAWING NO
A4	1 OF 1	M8-F3-Px