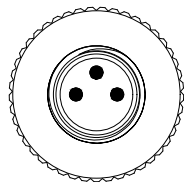
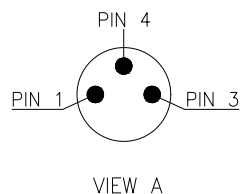
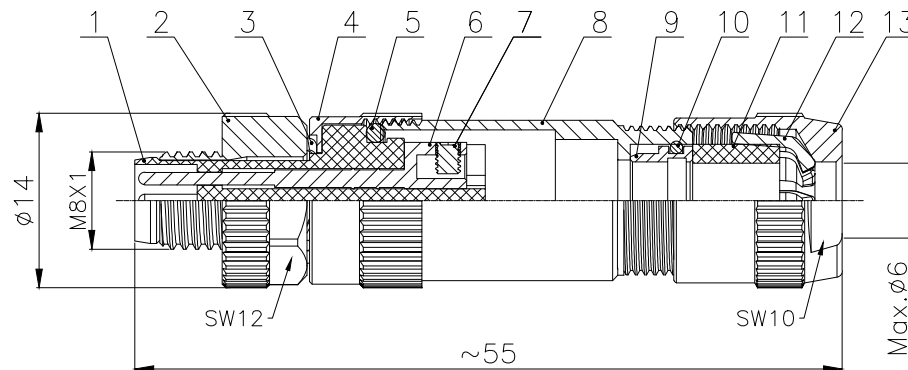


No.	Specification	Unit	Q'ty	No.	Specification	Unit	Q'ty
1	M8 Male Insulator 3 core A code ,PA66 material black	pc	1	8	Straight body copper shell	pc	1
2	M8 Assembled connection screws	pc	1	9	Shield ring brass, silver	pc	1
3	Corrugated gasket manganese steel, silver	pc	1	10	Nitrile butadiene rubber $\phi 8 \times \phi 6 \times 1$ black	pc	1
4	Main connecting nut copper shell	pc	1	11	Waterproof rubber plug Silicone Rubber black	pc	1
5	Nitrile butadiene rubber $\phi 10 \times \phi 7 \times 1.5$ black	pc	1	12	Tail paw PA66 black	pc	1
6	M8 Male contact pin Gold Plated OD:1.0	pc	3	13	Lock cable nut copper shell	pc	1
7	Wire locking screw Carbon steel bright Nickel	pc	3				



A



Technical specifications:

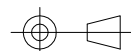
Electrical parameter:

Coupling:	Threaded coupling
Termination:	Screw lock
Coding:	A
Pollution degree:	3
Temperature range:	$-40^{\circ}\text{C} \sim +80^{\circ}\text{C}$
Degree of protection:	IP67
Mating cycles:	$\geq 500$
Cable outlet diameter:	4.0~6.0mm
Traverse area:	Max 0.75mm <sup>2</sup> /AWG 18

Rated voltage:	60V AC/DC
Rated current:	3A
Contact resistance:	$\leq 5 \text{ m}\Omega$
Insulation resistance:	$\geq 100 \text{ M}\Omega$
<u>Materials:</u>	
Shell material:	Copper nickel plated
Contact material:	Copper Gold plated
Insert material:	PA66+GF UL94 black
Sealing:	Silicone/NBR, black

GENERAL TOLERANCE (UNLESS SPECIFIED)

$\leq 10$	$\pm 0.1$
$<10 \sim \leq 20$	$\pm 0.2$
$<20 \sim \leq 50$	$\pm 0.5$
Angle	$\pm 3'$



THIRD ANGLE

DWN	DATE
W.M	2023.12.28
CHK	DATE
APVD	DATE
UNIT	REV
MM	A
SIZE	SHEET
A4	1 OF 1

**CAZN 正成**

TITLE	M8 Straight Male Metal Assembled Plug 3 core
PART NO	
DRAWING NO	M8-P3A-GLAP7

All materials are RoHS compliant