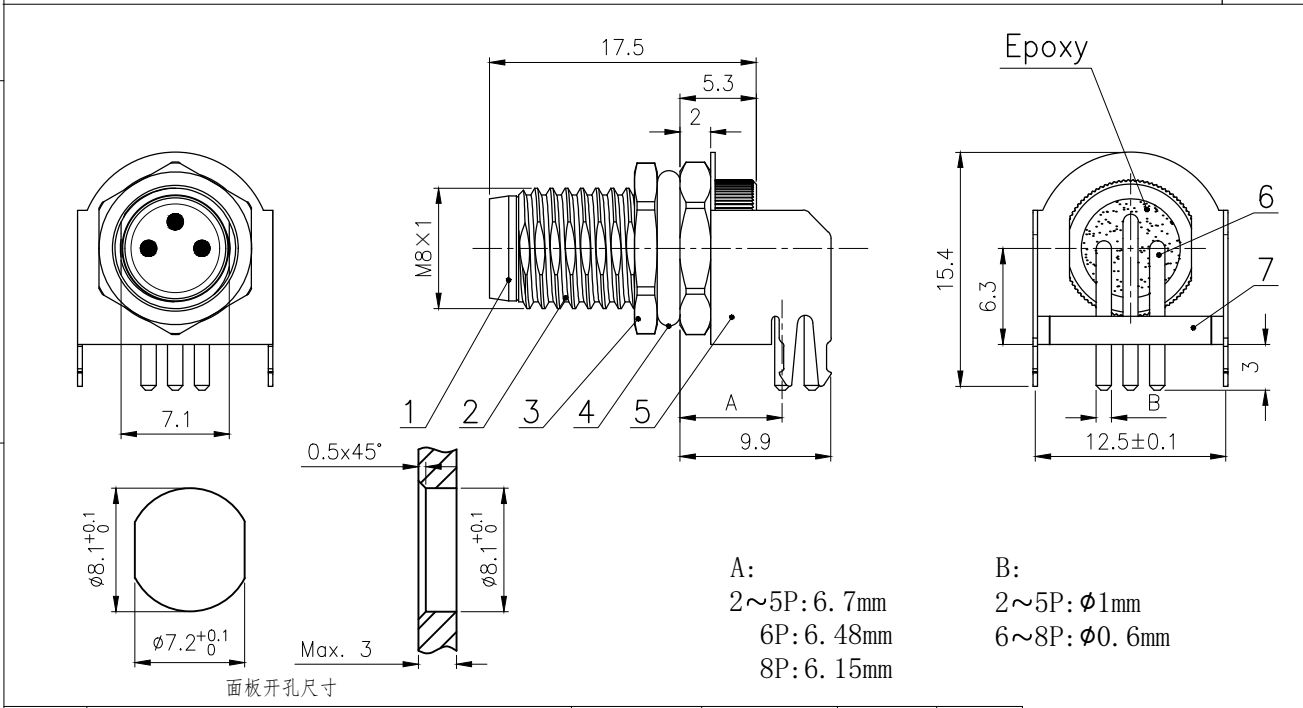
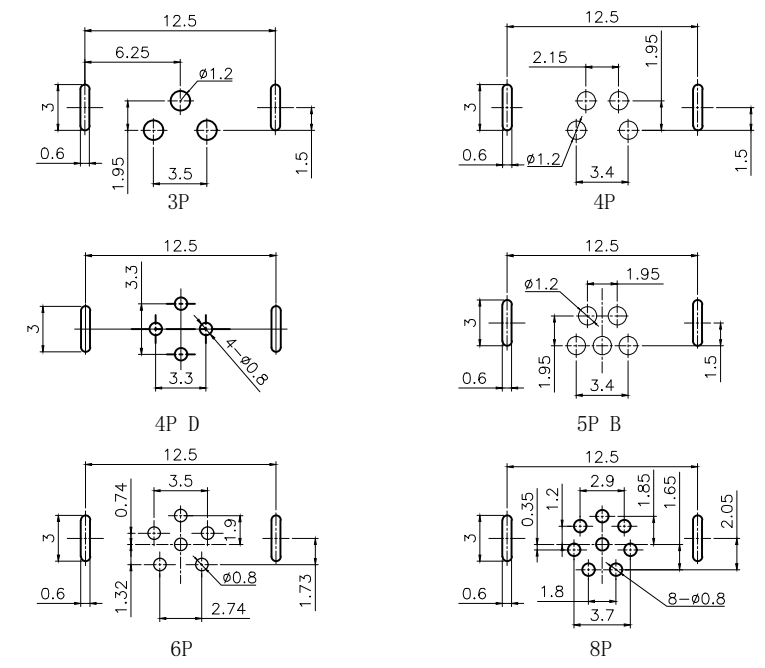


Number of cores	3	4	4D	5B	6	8
Rated current/voltage	3A/60V	3A/60V	4A/60V	3A/30V	1.5A/30V	1.5A/30V
Rated pulse voltage	800V	800V	800V	800V	800V	800V
Insulation resistance (MΩ)	≥500	≥500	≥500	≥500	≥500	≥500
Contact resistance (MΩ)	≤5	≤5	≤5	≤5	≤5	≤5



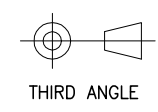
RECOMMENDED P.C.B LAYOUT



7	M8 bending sent Male positioning plate	LCP	/	pc	1
6	M8 Bending type Male contact pin	Brass	Gold plated	pc	3~8
5	M8 90 degree clasp shielded enclosure	Brass	Nickel plated	pc	1
4	M8 Shell O ring φ9Xφ6X1.5	NBR	/	pc	1
3	Hexagon nut M8X1	Brass	Nickel plated	pc	1
2	M8 Bending type Panel back mount Male socket shell	Brass	Nickel plated	pc	1
1	M8 Male Insulator	Nylon	/	pc	1
No.	Specification	Material	Treat	Unit	Q'ty

GENERAL TOLERANCE (UNLESS SPECIFIED)

≤10 ±0.1
 <10~≤20 ±0.2
 <20~≤50 ±0.5
 Angle ±3°



DWN	
CHK	
APVD	TITLE
UNIT	REV
MM	A
SIZE	SHEET
A4	1 OF 1

CAZN 正成

TITLE: M8-L-Px

PART NO

DRAWING NO